

# TD-3660.5-OS/SF-RENO

CSI Division: 22 42 23

# Trench Drain Pan

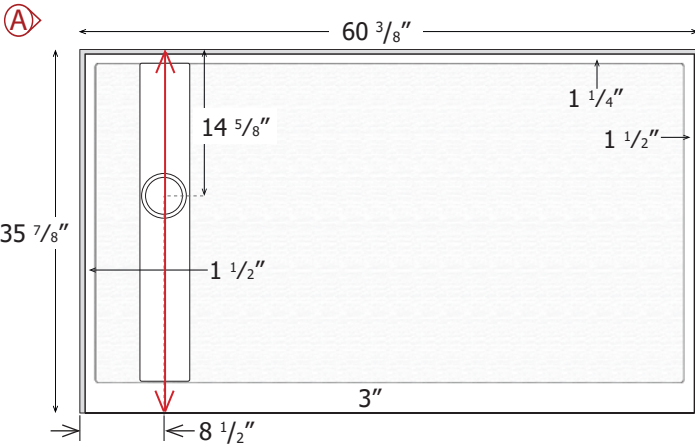
Copyright© 2000 Mincey Marble Manufacturing, Inc.™



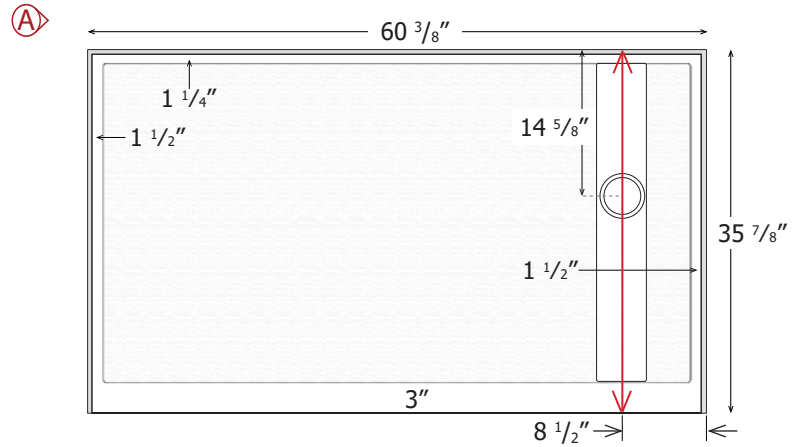
- Solid one-piece construction
- Textured non-slip finish
- Maintenance free
- Manufactured in the USA
- Abrasion resistant gel coat surface
- Repels mold and mildew
- Pre-leveled - rests on sub floor
- Extremely sanitary

# SPECIFICATIONS

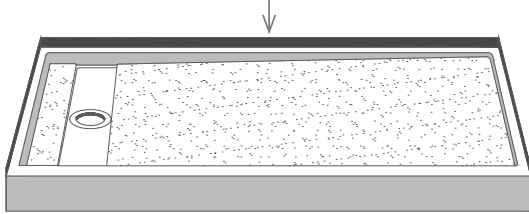
TD-3660.5-OS/SF-RENO-L



TD-3660.5-OS/SF-RENO-R



1" Flange Attached at Factory on Back & Sides



Integral Curb 3" Tall

Left Hand Drain Shown. Left & Right Hand Drain Available.

**Specifications:**

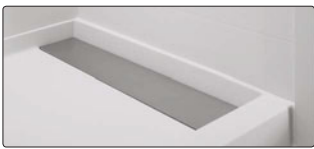
- Size: 36" x 60 1/2"
- Drain: Off-set - 8 1/2" from side wall
- Trench Width: 4 3/4"
- Drain Cover: ~31" Stainless Steel
- Drain Opening: 3 1/4" hole width
- Curb: Integral - 3" w x 3" h
- Flange: 1" attached at factory
- Weight: ~228#
- Material: Mincey Classic™

**Options:**

- Drain Location: Specify Left or Right
- Drain Covers: Specify Solid, Decorative, or Powder Coated

**Stainless Steel Trench Drain Cover Options:**

Solid Drain Cover



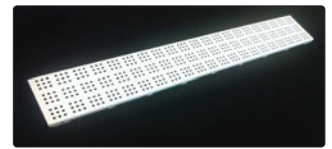
Decorative Drain Cover



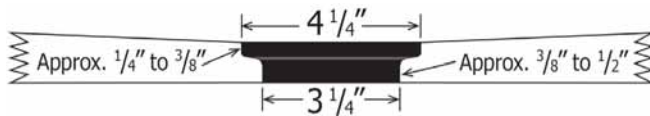
Solid Powder Coated Drain Cover



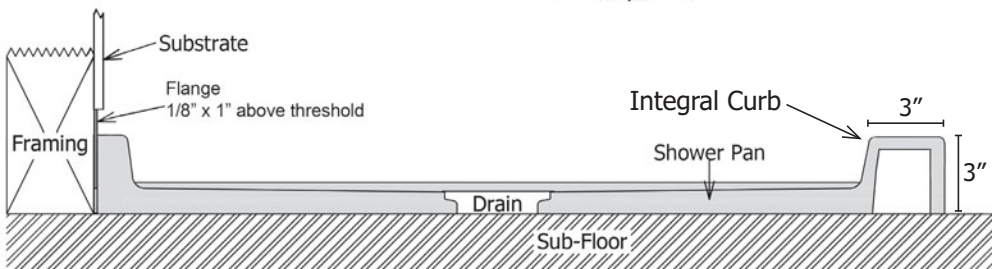
Decorative Powder Coated Drain Cover



**Drain Detail:**



**Section A:**



**Drain NOT included. Finished product dimensions vary +/- 1/8" from drawing.**

**\*Note\*** ALL Powder Coated Stainless Steel drain covers carry an up-charge. Powder coated drain covers are offered in Matte or Gloss Finish and in Solid or Decorative form. Check for availability.

**Suggested Drains:**

- Sioux Chief Mfg. model: 825-2P - PVC
- Oatey part number: 42045 - PVC
- Oatey part number: 42150 - Brass
- Kohler model: K9132 - Stainless Steel

**Standards and Ratings:**

- CSA B45-5/IAPMO Z124-2011
- MAS Certified Green®
- Compliant with ANSI/BIFMA X7.1 Standard
- ASTM 1028-96 coefficient of friction test (minimum rating of .67)