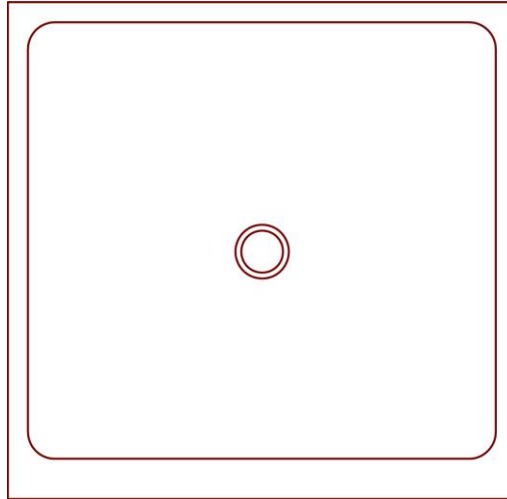


37" x 38" STANDARD RECTANGLE SHOWER PAN

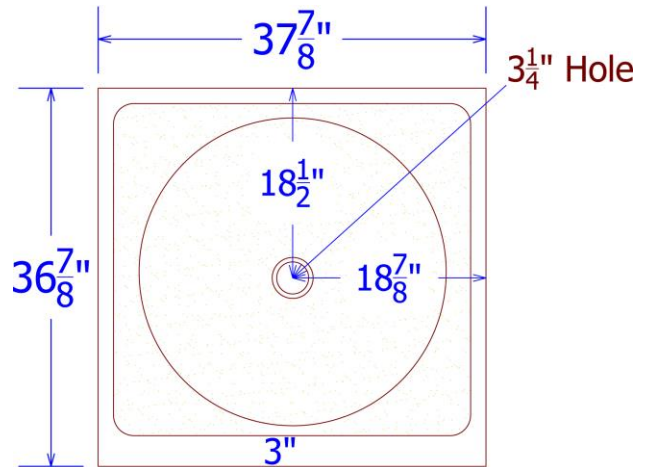


DIMENSIONS:

WIDTH: 37 7/8" OVERALL LENGTH
 DEPTH: 36 7/8" SIDES

STANDARD FEATURES:

- SOLID ONE - PIECE CONSTRUCTION
- ABRASION RESISTANT GEL COAT SURFACE
- TEXTURED NON-SLIP FLOOR FINISH
- SEAMLESS
- MINGEY CLASSIC™
- CENTER DRAIN
- CENTER OF DRAIN MEASURES
 18 7/8" FROM SIDE OF PAN
 18 1/2" FROM BACKWALL
- INTEGRAL CURBS
- 4" FRONT CURB HEIGHT
- 3" FRONT CURB WIDTH
- 1" INTEGRAL FLANGE
- EXTREMELY SANITARY
- WILL NOT MOLD OR MILDEW
- MAINTENANCE FREE
- PRE-LEVELLED, REST ON SUB FLOOR
- 10 YEAR LIMITED WARRANTY AGAINST MANUFACTURING DEFECTS

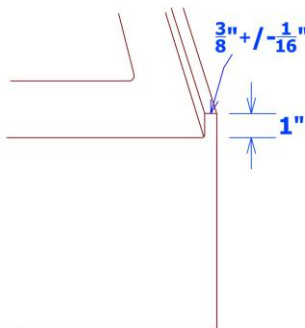


Pan slopes @ 1/4" per foot

Note: Finished product dimensions may vary +/- 1/8" from drawing

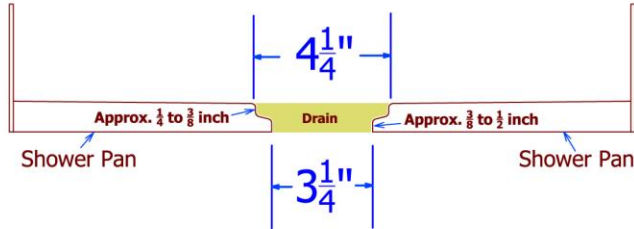
PAN WEIGHT:

- ~190#

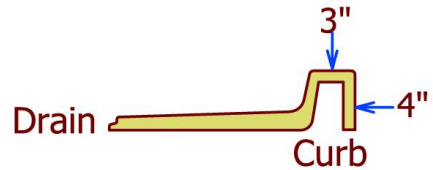
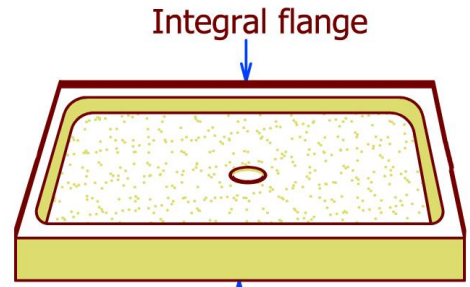
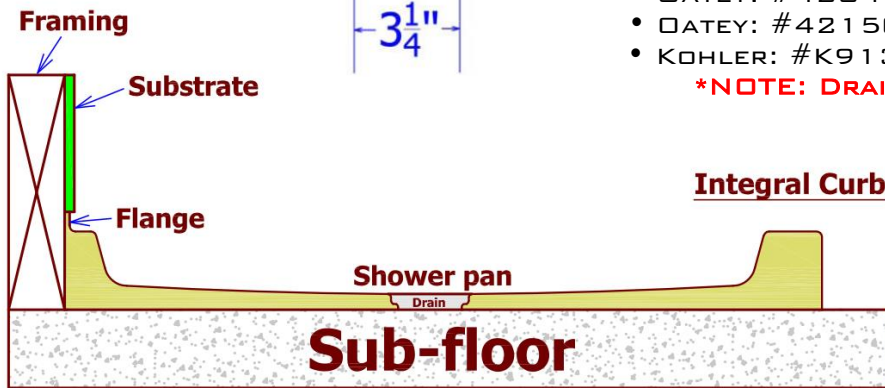
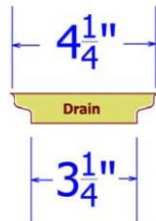


STANDARDS AND RATINGS:

- CSA B45.5 / IAPMO Z124
- MEETS IAPMO REQUIREMENTS
- ASTM 1028-96 COEFFICIENT OF FRICTION TEST (MINIMUM RATING OF .67)



DRAIN DIMENSIONS



***SUGGESTED DRAINS:**

- SIOUX CHIEF: #825-2P - PVC
- DATEY: #42045 - PVC
- DATEY: #42150 - BRASS
- KOHLER: #K9132 - STAINLESS STEEL

***NOTE: DRAIN NOT INCLUDED**



CLEANING INFORMATION:

DAILY CLEANING – USE A NON ABRASIVE CLEANER SUCH AS WINDEX™ OR SOAPY WATER, THEN RINSE. FOR TOUGH STAINS, USE A NYLON SCRUBBING BRUSH AND MAGIC ERASER™.

Mincey Sticker

View of Front Right Corner

