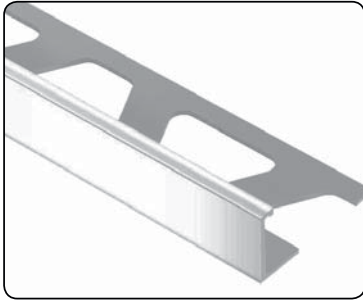


TR-07
TR-09
TR-10
JAMB-01

Metal Trim Strips & Door Jamb

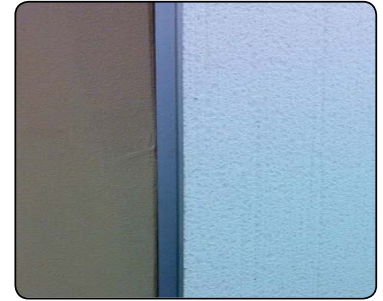
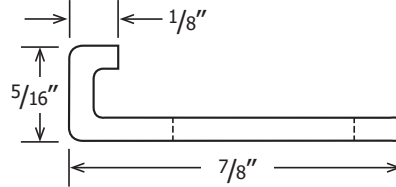
REV: 08.28.17

TR-07

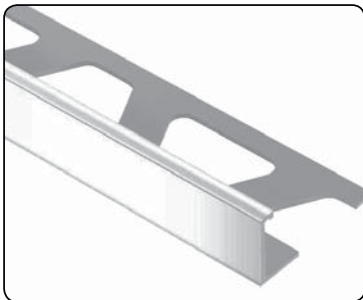


Standard Features:

- Name: **TR-07 | Metal Trim Strip**
- Size: $5/16'' \times 96'' \times 7/8''$
- Finish: Polished
- Style: Plain Metal Trim
- Use: Panel Systems

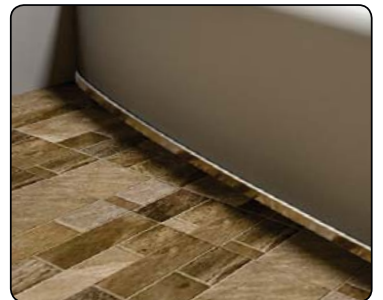
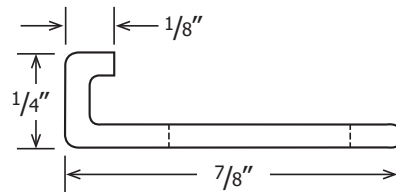


TR-09

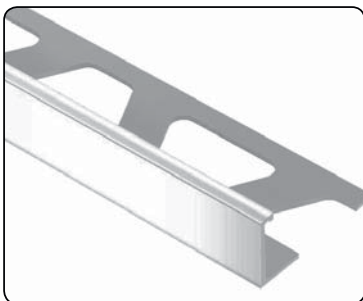


Standard Features:

- Name: **TR-09 | Metal Trim Strip**
- Size: $1/4'' \times 96'' \times 7/8''$
- Finish: Polished or White
- Style: Plain Metal Trim
- Use: Curved Front Shower Pans ONLY

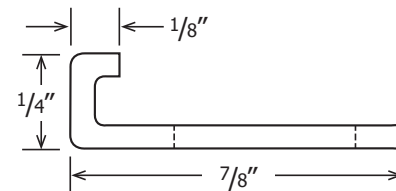


TR-10

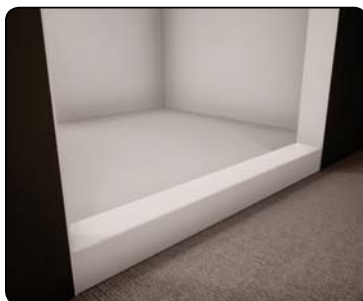


Standard Features:

- Name: **TR-10 | Metal Trim Strip**
- Size: $1/4'' \times 96'' \times 7/8''$
- Finish: Polished or White
- Style: Plain Metal Trim
- Use: Standard Shower Pans ONLY



JAMB-01



Standard Features:

- Name: **JAMB-01 | Door Jamb**
- Size: $5 \frac{1}{4}'' \times 96'' \times \frac{1}{4}''$
- Finish: Matte or Gloss
- Style: Radius Edges Marble Door Jamb
- Material: Mincey Classic™

