

TD-36-ADJ-72" -OS/SF

CSI Division: 22 42 23

Trench Drain Pan Adjustable

Copyright© 2000 Mincey Marble Manufacturing, Inc.™

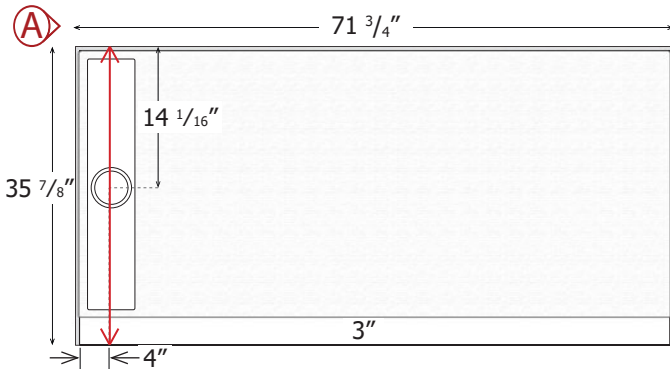


- Solid one-piece construction
- Textured non-slip finish
- Maintenance free
- Manufactured in the USA
- Abrasion resistant gel coat surface
- Repels mold and mildew
- Pre-leveled - rests on sub floor
- Extremely sanitary

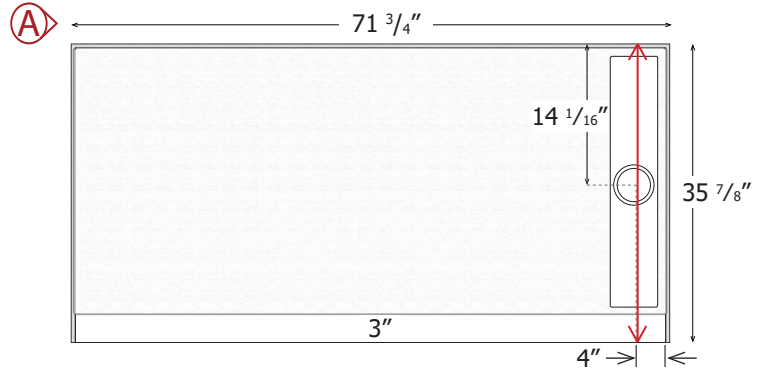


SPECIFICATIONS

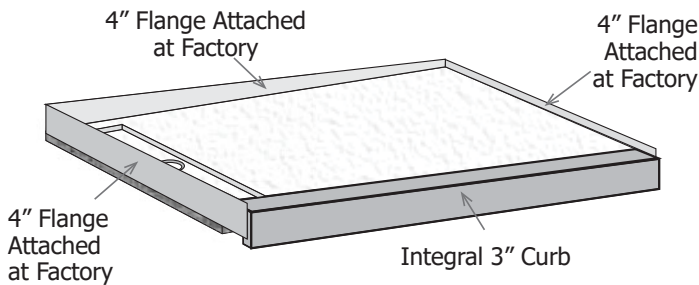
TD-36-ADJ-72"-OS/SF-L*



TD-36-ADJ-72"-OS/R*



*Pans have an adjustable length up to 72"



Left Hand Drain Shown. Left & Right Hand Drain Available.

Specifications:

- Size: 36" x up to 72" max
- Drain: Off-set - 4" from side wall
- Trench Width: 4 3/4"
- Drain Cover: ~27" Stainless Steel
- Drain Opening: 3 1/4" hole width
- Curb: Integral - 3" w x 3" h
- Flange: 4" attached at factory
- Weight: Variable by size
- Material: Mincey Classic™

Options:

- Drain Location: Specify Left or Right
- Drain Covers: Specify Solid, Decorative, or Powder Coated

Stainless Steel Trench Drain Cover Options:

Solid Drain Cover



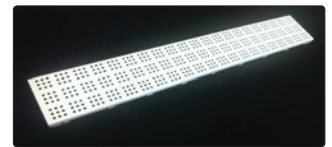
Decorative Drain Cover



Solid Powder Coated Drain Cover



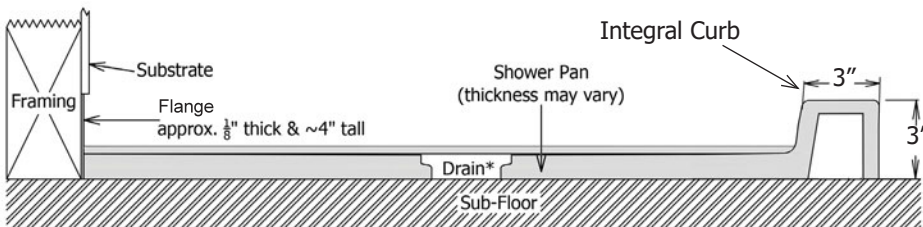
Decorative Powder Coated Drain Cover



Drain Detail:



Section A:



Drain **NOT** included. Finished product dimensions vary +/- 1/8" from drawing.

Note ALL Powder Coated Stainless Steel drain covers carry an up-charge. Powder coated drain covers are offered in Matte or Gloss Finish and in Solid or Decorative form. Check for availability.

Suggested Drains:

- Sioux Chief Mfg. model: 825-2P - PVC
- Oatey part number: 42045 - PVC
- Oatey part number: 42150 - Brass
- Kohler model: K9132 - Stainless Steel

Standards and Ratings:

- MAS Certified Green®
- Compliant with ANSI/BIFMA X7.1 Standard
- ASTM 1028-96 coefficient of friction test (minimum rating of .67)