

**30" X 60" STANDARD RECTANGLE
SHOWER PAN WITH OFF-SET DRAIN**

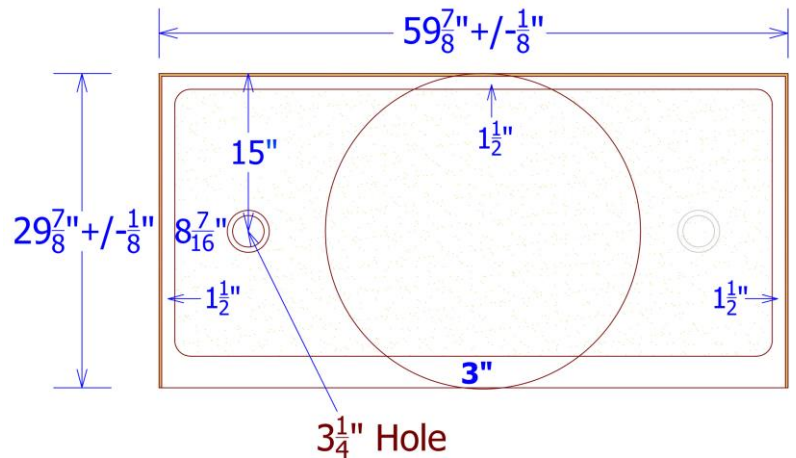


DIMENSIONS:

WIDTH: 59 7/8" OVERALL LENGTH
DEPTH: 29 7/8" SIDES

STANDARD FEATURES:

- SOLID ONE - PIECE CONSTRUCTION
- ABRASION RESISTANT GEL COAT SURFACE
- TEXTURED NON-SLIP FLOOR FINISH
- SEAMLESS
- MINCEY CLASSIC™
- LEFT OR RIGHT OFF-SET DRAIN
- CENTER OF DRAIN MEASURES
8 7/16" FROM SIDE OF PAN
15" FROM BACKWALL
- INTEGRAL CURBS
- 3" FRONT CURB WIDTH
- 3" FRONT CURB HEIGHT
- 1" FLANGE – ATTACHED AT FACTORY
- EXTREMELY SANITARY
- WILL NOT MOLD OR MILDEW
- MAINTENANCE FREE
- PRE-LEVELLED, REST ON SUB FLOOR
- 10 YEAR LIMITED WARRANTY AGAINST
MANUFACTURING DEFECTS

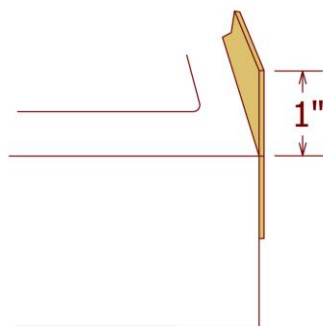


Gray area represents right drain location

Note: Finished product dimensions may vary +/- 1/8" from drawing
Pan slopes 1/4" per foot to the drain.

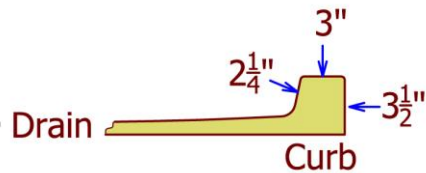
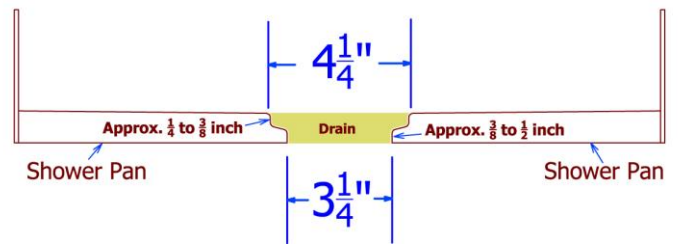
PAN WEIGHT:

• ~210#



STANDARDS AND RATINGS:

- CSA B45.5 / IAPMO Z124
- MEETS IAPMO REQUIREMENTS
- ASTM 1028-96 COEFFICIENT OF FRICTION TEST (MINIMUM RATING OF .67)

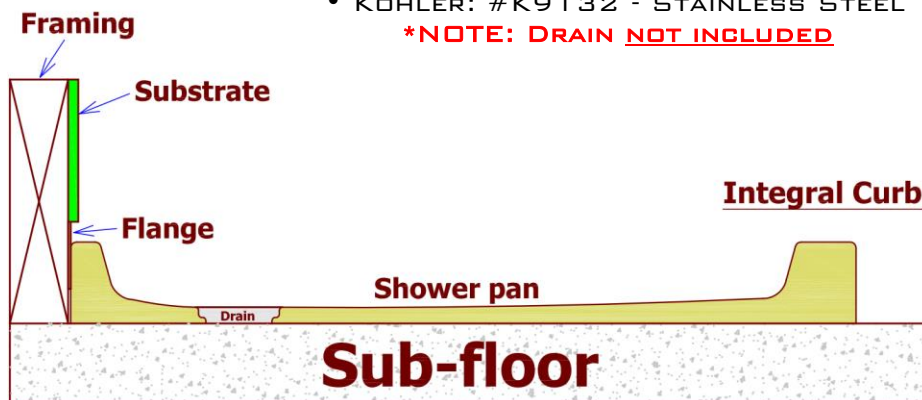
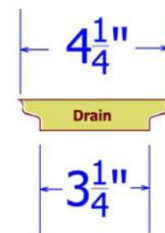


*SUGGESTED DRAINS:

- SIOUX CHIEF: #825-2P - PVC
- DATEY: #42045 - PVC
- DATEY: #42150 - BRASS
- KOHLER: #K9132 - STAINLESS STEEL

***NOTE: DRAIN NOT INCLUDED**

DRAIN DIMENSIONS



CLEANING INFORMATION:

DAILY CLEANING – USE A NON-ABRASIVE CLEANER SUCH AS WINDEX™ OR SOAPY WATER, THEN RINSE. FOR TOUGH STAINS, USE A NYLON SCRUBBING BRUSH AND MAGIC ERASER™.

Mincey Sticker

