

Curved Front Trench Drain Pan

Copyright© 2000 - 2017 Mincey Marble Inc.

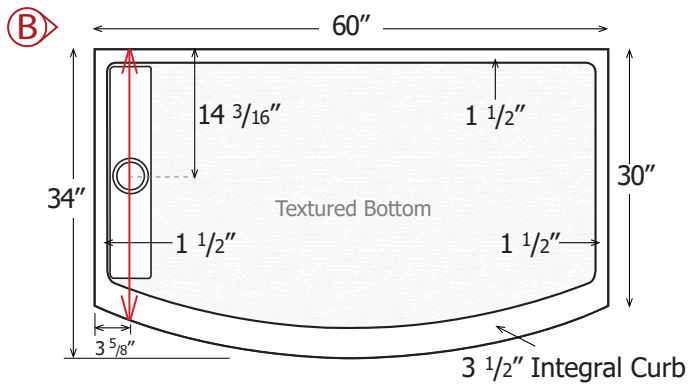


- Solid one-piece construction
- Textured non-slip finish
- Maintenance free
- Manufactured in the USA
- Abrasion resistant gel coat surface
- Repels mold and mildew
- Pre-leveled - rests on sub floor
- Extremely Sanitary

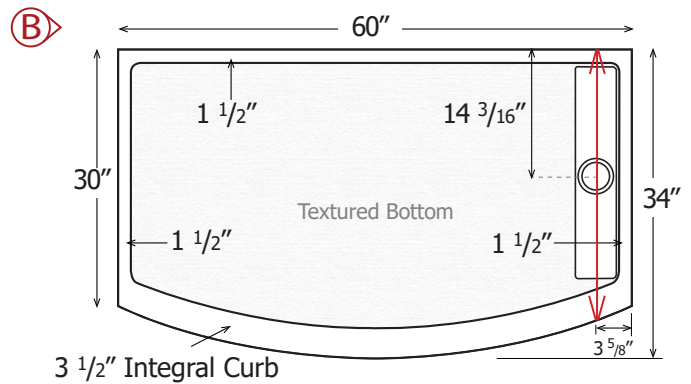


SPECIFICATIONS

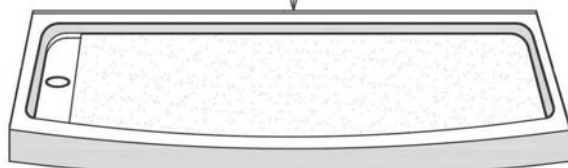
CFP-TD-30-3460-OS/SF-L



CFP-TD-30-3460-OS/SF-R



1" Flange Attached at Factory on all 3 sides



Integral Curb 3" Tall

Left Hand Drain Shown. Left & Right Hand Drain Available.

Specifications:

- Size: 30" - 34" x 60"
- Drain: Off-set
- Trench Width: 4 1/2"
- Drain Cover: 25" Stainless Steel
- Drain Opening: 3 1/4" hole width
- Curb: Integral - 3" h x 3 1/2" w
- Flange: Separate - Fiberglass
- Weight: ~256#
- Material: Mincey Classic™

Options:

- Drain Location: Specify Left or Right
- Drain Covers: Specify Solid, Decorative, or Powder Coated

Stainless Steel Trench Drain Cover Options:

Solid Drain Cover



Decorative Drain Cover



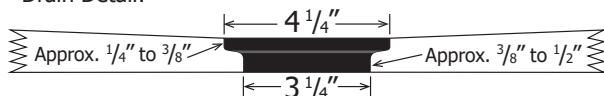
Solid Powder Coated Drain Cover



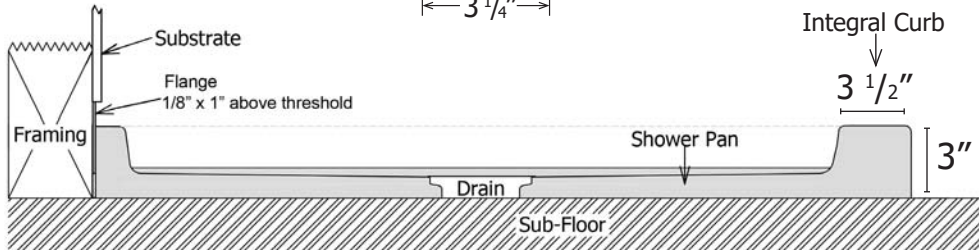
Decorative Powder Coated Drain Cover



Drain Detail:



Section B:



Drain NOT included. Finished product dimensions may vary +/- 1/8" from drawing.

Powder Coating Options:

- Color: White | Cream | Ivory | Putty
- Finish: Matte | Gloss

***Note* ALL Powder Coated Stainless Steel covers carry an up-charge.**

Suggested Drains:

- Sioux Chief Mfg. model: 825-2P - PVC
- Oatey part number: 42045 - PVC
- Oatey part number: 42150 - Brass
- Kohler model: K9132 - Stainless Steel

Standards and Ratings:

- CSA B45-5/IAPMO Z124-2011
- ASTM 1028-96 coefficient of friction test (minimum rating of .67)