

SP-3448-C/SF

CSI Division: 22 42 23

Center Drain Pan

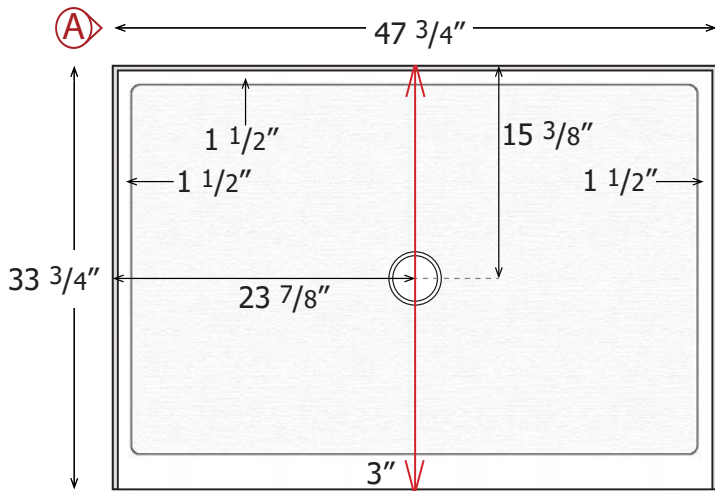
Copyright© 2000 - 2017 Mincey Marble Inc.



- Solid one-piece construction
- Textured non-slip finish
- Maintenance free
- Manufactured in the USA
- Abrasion resistant gel coat surface
- Repels mold and mildew
- Pre-leveled - rests on sub floor
- Extremely Sanitary

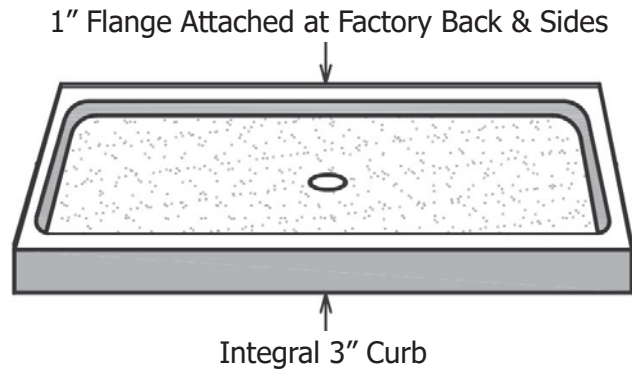
SPECIFICATIONS

SP-3448-C/SF

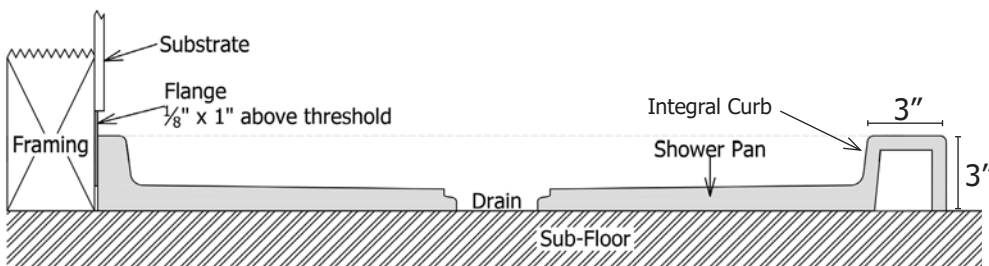


Specifications:

- Size: 34" x 48"
- Drain: Center
- Drain Opening: 3 1/4" hole width
- Curb: Integral - 3" w x 3" h
- Flange: 1" attached at factory
- Weight: ~162#
- Material: Mincey Classic™

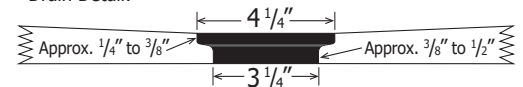


Section A:



Drain NOT included. Finished product dimensions may vary +/- 1/8" from drawing.

Drain Detail:



Suggested Drains:

- Sioux Chief Mfg. model: 825-2P - PVC
- Oatey part number: 42045 - PVC
- Oatey part number: 42150 - Brass
- Kohler model: K9132 - Stainless Steel

Standards and Ratings:

- CSA B45-5/IAPMO Z124-2011
- ASTM 1028-96 coefficient of friction test (minimum rating of .67)