

## Installation Instructions for Mincey Marble Manufacturing's Fixed Glass Panel

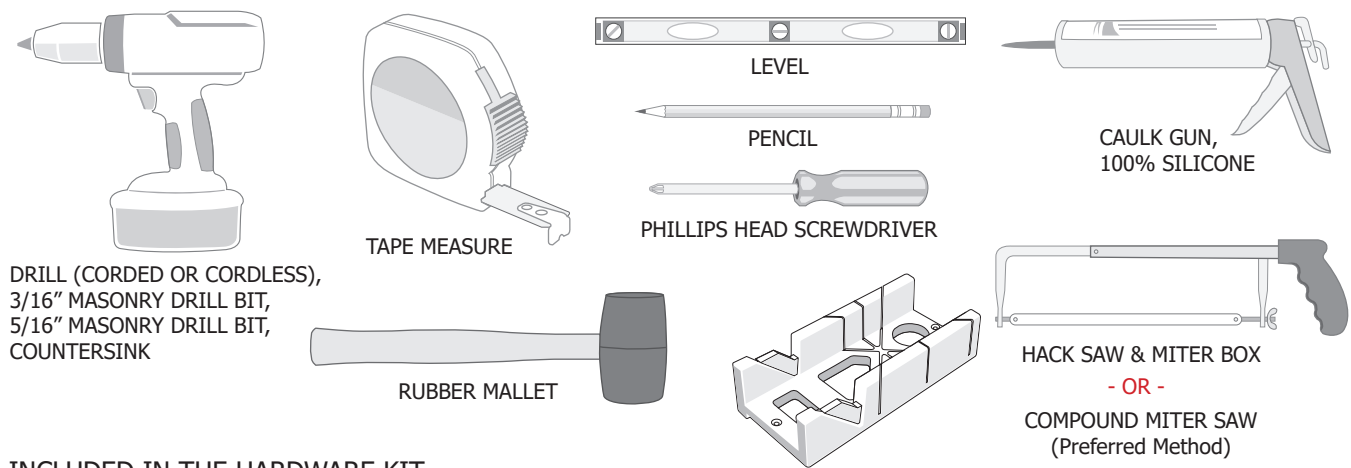
MATERIALS / TOOLS NEEDED CHECKLIST  
PRE-INSTALLATION PIECES / PARTS LIST  
FIXED GLASS PANEL INSTALLATION

**ATTENTION:** Prior to starting the installation, please read through these instructions. This will help avoid any unnecessary breakage. Any breakage due to handling or installing this Fixed Glass Panel is the responsibility of the installer and is not covered under the Mincey Warranty. Mincey recommends that two people are used to install this Fixed Glass Panel due to the weight and fragility of the glass panel. Mincey recommends using blocking for support of the U Channels. Mincey also recommends that you protect the glass and shower pan during installation.

*These installation instructions apply to the Mincey Fixed Glass Panel. In these instructions we are going to use an example with a 58" wide shower. All Drawings Are Not To Scale.*

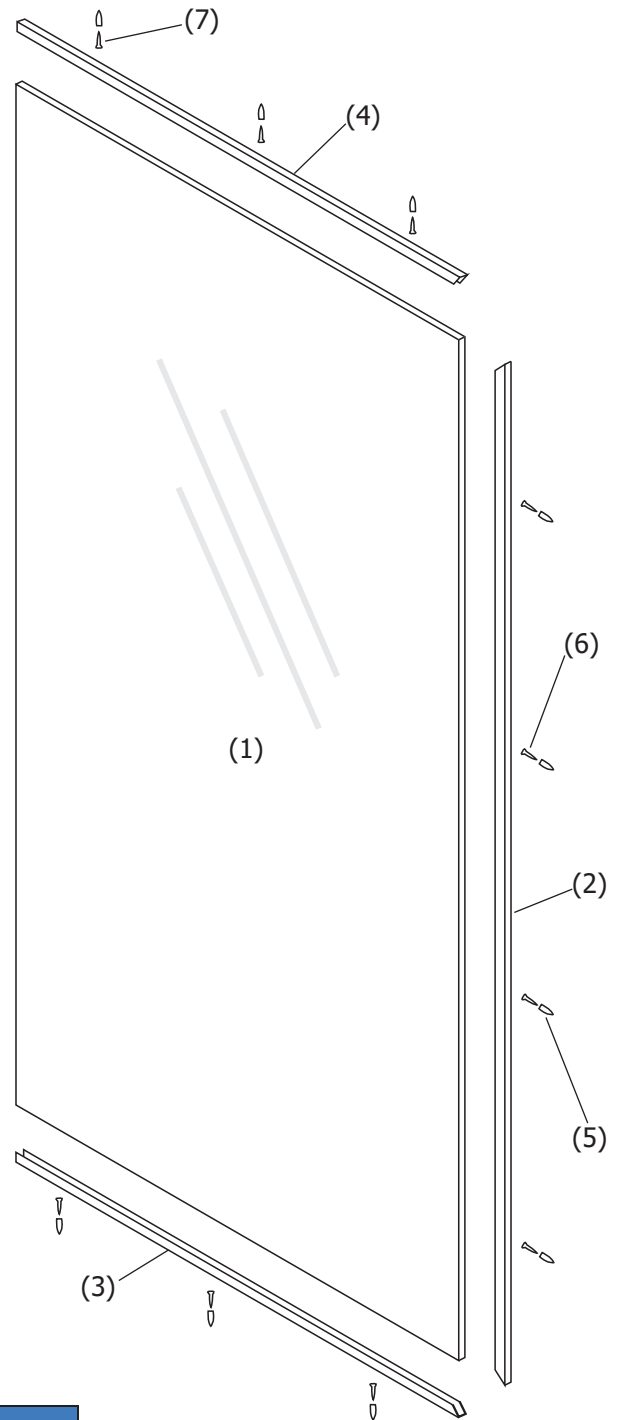
**Start by uncrating the materials and confirm that all of the parts and pieces are present and are not damaged.** The Required Tools are listed below. The contents of the Hardware Kit are listed below. The Parts Diagram is on the following page. Before you begin the installation, make sure that all of the pertinent surfaces are clean and free of dust, debris and any shavings. After you perform any drilling, you will want to make sure the surfaces are clean again - this includes the Shower Pan and the Shower Panel Walls.

### MATERIALS / TOOLS NEEDED



### INCLUDED IN THE HARDWARE KIT



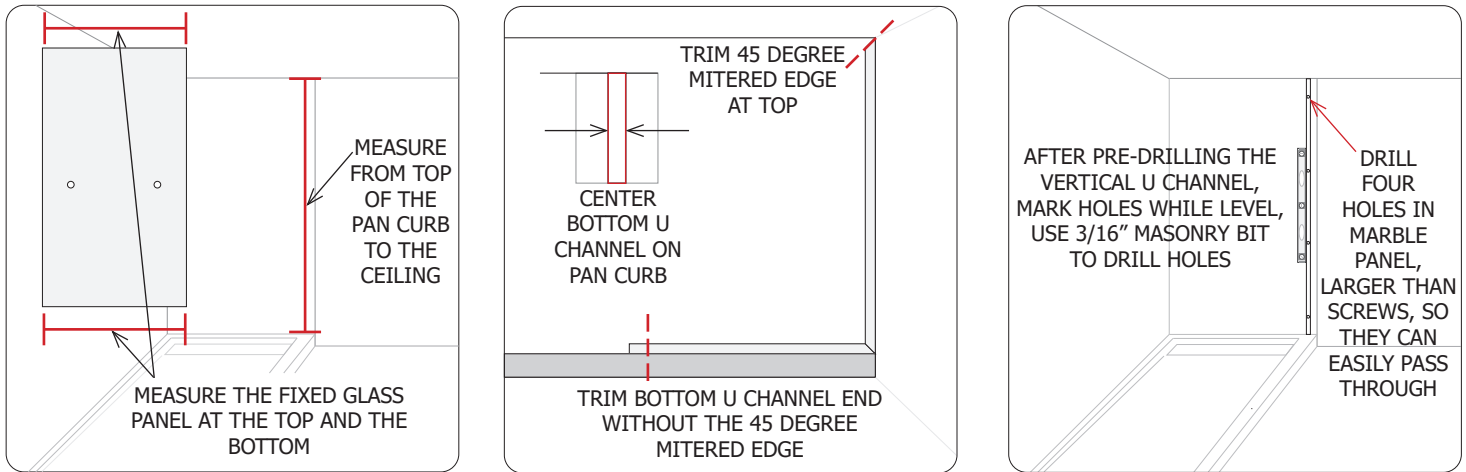


SHOWER ENCLOSURE PARTS LIST		
ASSEMBLY CODE	ASSEMBLY NAME	QTY
1	FIXED GLASS PANEL	1
2	VERTICAL U CHANNEL	1
3	BOTTOM U CHANNEL	1
4	TOP U CHANNEL	1
5	3/16" WALL ANCHORS	8
6	1 1/4" FLAT HEAD SCREWS	8

If you have any questions, please call MINCEY MARBLE CUSTOMER SERVICE at 1-800-533-1806.

These instructions are to be followed assuming the Shower Pan is Level and the Walls are Plumb. After you have confirmed that all of the parts and pieces are present, you are ready to begin installing the FIXED GLASS PANEL.

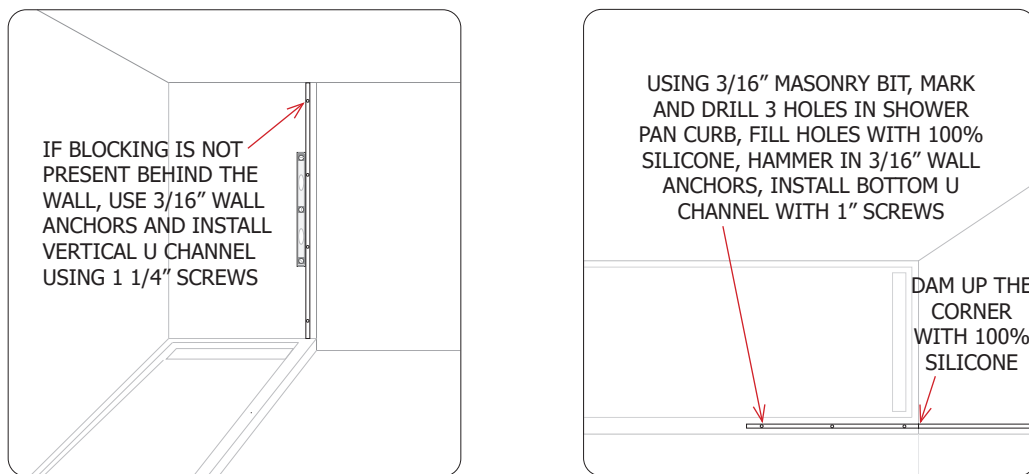
Start by trimming the BOTTOM U CHANNEL. Measure the BOTTOM of the FIXED GLASS PANEL. Trim this measurement off of the end of the BOTTOM U CHANNEL that does not have the Mitered, 45 degree angle. **You will need to Drill and Countersink all of the necessary holes into the locations on all three U Channels.**



Measure the Top of the FIXED GLASS PANEL. Trim the TOP U CHANNEL like the BOTTOM U CHANNEL. Pre-drill and Countersink 3 holes in the Top and Bottom U Channels.

Measure from the Top of the Pan Curb to the ceiling. Trim the VERTICAL U CHANNEL at a 45 degree angle at the top. Pre-drill and Countersink 4 holes in the VERTICAL U CHANNEL and Mark the holes on the Wall Panel while holding Level and Centered on the Pan Curb.

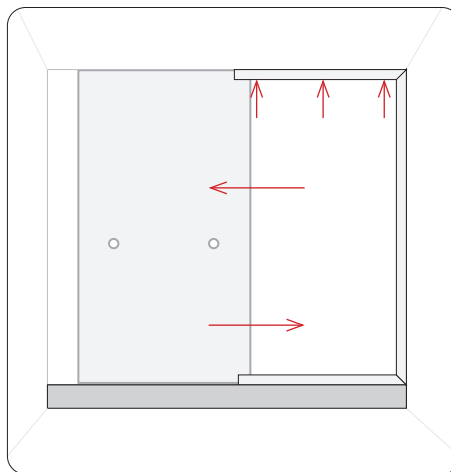
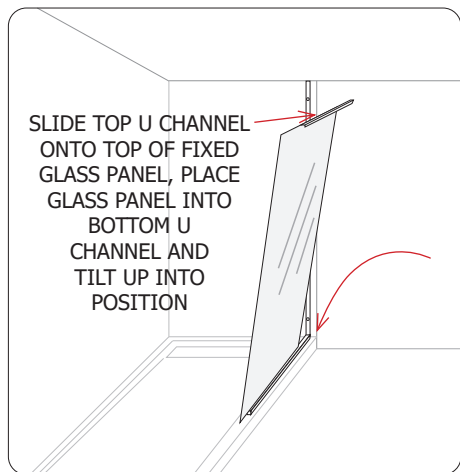
Using a 3/16" Masonry Bit, drill holes in the Marble Wall Panel large enough that the Screws pass through the panel without interference. If there is no Blocking in the walls, Hammer in 3/16" Wall Anchors and install the Vertical U Channel (Mincey Marble recommends using blocking behind the walls).



After installing the VERTICAL and BOTTOM U CHANNELS, dam up the Bottom Corner Seam with 100% Silicone.

If you have any questions, please call MINCEY MARBLE CUSTOMER SERVICE at 1-800-533-1806.

After installing the Vertical and Bottom U Channels and filling the corner with 100% Silicone, Mark the TOP U CHANNEL pre-drilled holes. Place CLEAR SETTING BLOCKS onto the top of the Screws in the Bottom U Channel. Slide the Top U Channel onto the Fixed Glass Panel and set the Fixed Glass Panel into the Bottom U Channel. Tilt the Glass Panel upright and slide the Glass Panel out of the way to enable the Top U Channel to be screwed into place. Carefully slide the Glass Panel back in place, flush with the Wall.



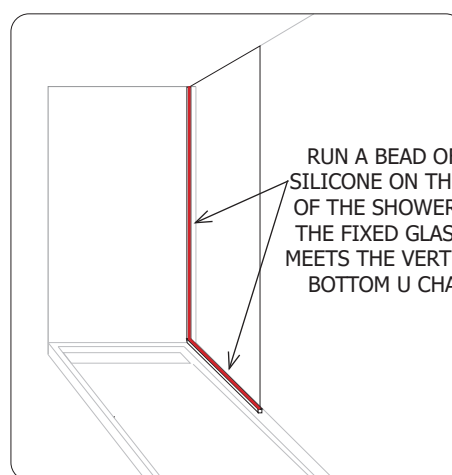
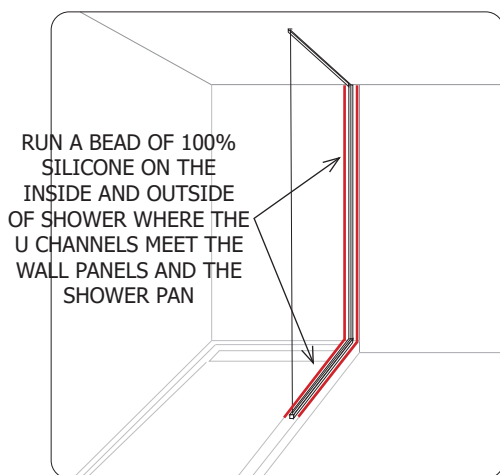
CAREFULLY SLIDE GLASS PANEL OUT OF THE WAY OF THE SCREW HOLES IN THE TOP U CHANNEL, SCREW TOP U CHANNEL INTO PLACE USING 3/16" WALL ANCHORS IF BLOCKING IS NOT PRESENT.

SLIDE GLASS PANEL BACK FLUSH AND LEVEL MAKING ANY ADJUSTMENTS NECESSARY USING SETTING BLOCKS

Make any adjustments to align the Glass Panel to be Level and Flush to the U Channels and the Wall Panel using the Setting Blocks.

The last steps are waterproofing the shower. Run a bead of 100% Silicone on the inside and outside of the shower where the U Channels meet the Wall Panels and the Pan Curb.

Finally, carefully run a bead of 100% Silicone inside the shower where the Fixed Glass Panel meets the U Channels. You have now completed the installation. **Allow 24 hours before any moisture is applied.**



**ALLOW 24 HOURS BEFORE ANY MOISTURE IS APPLIED**

Thank you for your business!

If you have any questions, please call MINCEY MARBLE CUSTOMER SERVICE at 1-800-533-1806.