

Installation Instructions for Mincey Marble Manufacturing's Roll-In Shower Pans

PRE-INSTALLATION CHECKLIST STANDARD INSTALLATION FIRE-RATED INSTALLATION

ATTENTION: If you are installing any other pan besides a Roll-in Pan, please see our Standard Shower Pan Installation Instructions, or our Custom Shower Pan Installation Instructions.

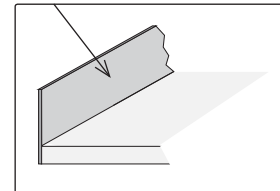
These installation instructions can be applied to Mincey Roll-in Shower Pans. Drawings Are Not To Scale.

All shower pans rest on sub-floors, not finished floors. Mincey's Cast Marble Shower Pans have been checked and leveled before leaving the production plant. They have been custom designed to drain properly if installed on a level surface.

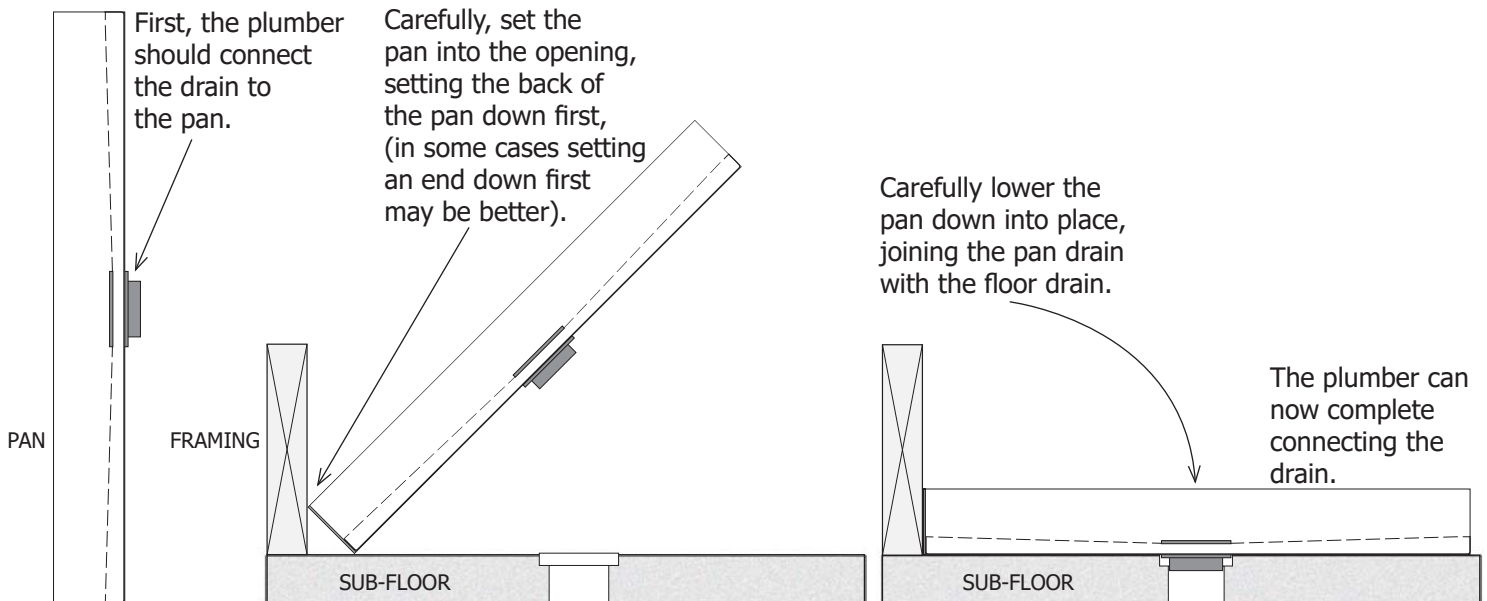
Most floors are not level. It is best to check the floor for level before installing the pan. If the floor is not level, float the floor with mortar or another suitable material and allow the material to dry **before setting the pan**. Make sure the floor is clean and free of dust and debris before setting the pan in place. Mincey Marble Pans can be shimmed to make level. We recommend using plastic shims, glued in place every eight inches.

IMPORTANT NOTE: DO NOT lift or handle pan with the Attached Fiberglass Flanges. They are not handles and it is critical that they are not damaged or broken in any way during installation. They ensure the pan will not leak in the event there is a drain problem and water overflows the basin. They also prevent water from getting behind the wall.

ATTACHED FIBERGLASS FLANGE



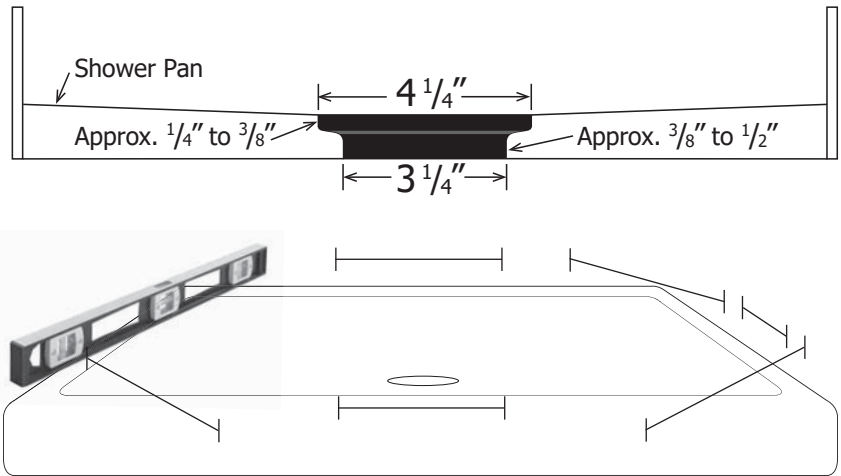
ROLL-IN PAN INSTALLATION:



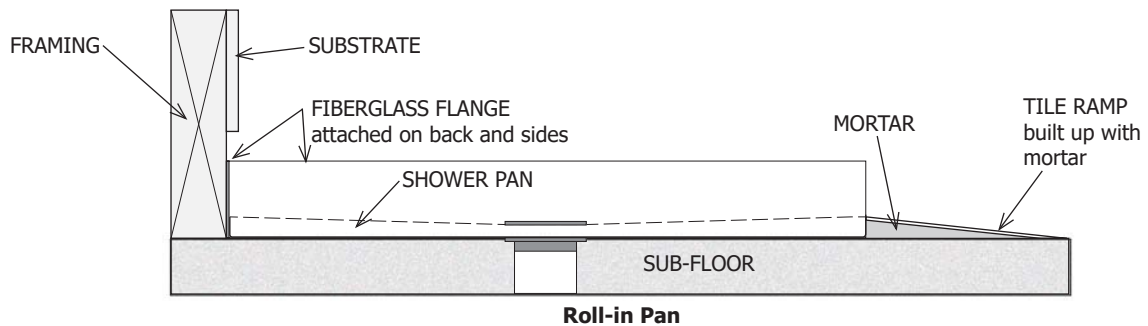
ROLL-IN PAN INSTALLATION: (cont.)

Substrate material (sheetrock, etc.) should not be installed until after the plumber has connected the plumbing to the pan.

After setting the pan in place, you must check it on all four corners and diagonally in each direction for level. Shim all necessary areas to level the pan to make sure it does not move or rock at all.

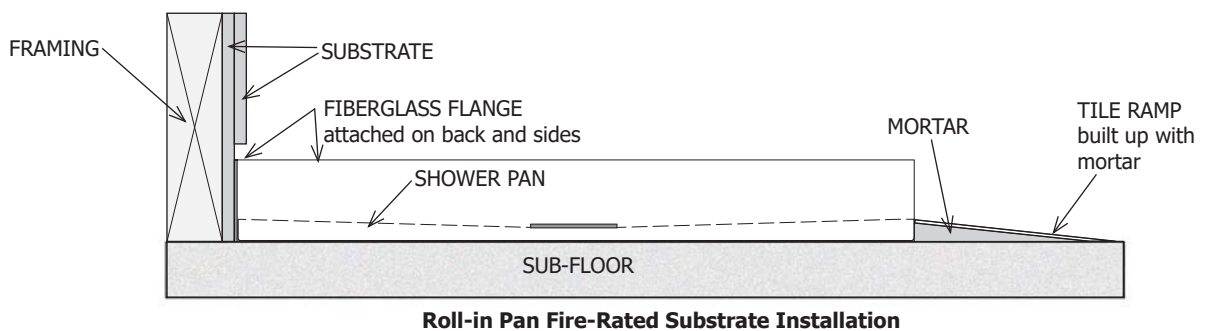


After the plumber has connected the drain, the substrate material (sheetrock, etc.) is ready to be installed. The substrate material should stop approximately 1/4" above the flange of the pan. (See diagram below)



FIRE-RATED ROLL-IN PAN INSTALLATION:

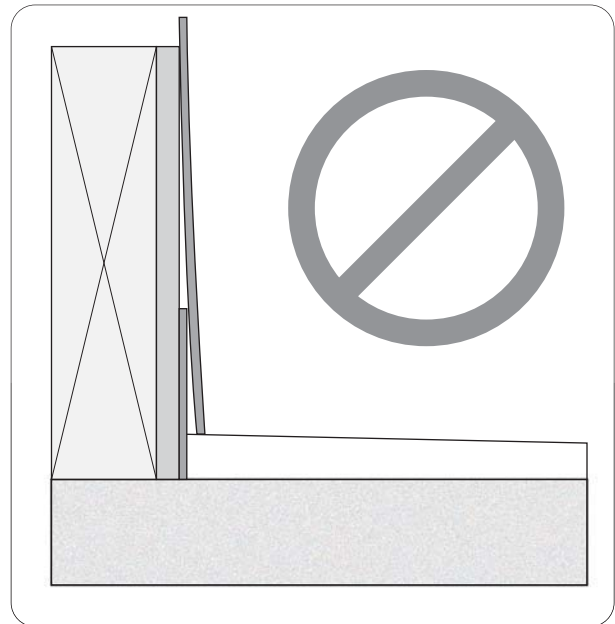
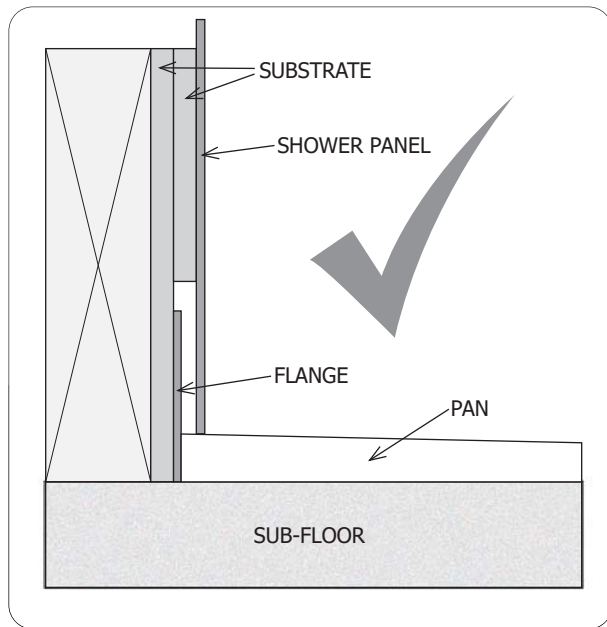
Begin with installing the first layer of Fire-rated Substrate. Then, the preferred method is to install a second layer of Fire-rated Substrate stopping just above the Fiberglass Flange. The second layer can be installed before or after the Shower Pan is in place. The second layer of Substrate will allow the Shower Panels to be installed from the surface of the pan upward without the Shower Panels bowing out.



If you have any questions, please call MINCEY MARBLE CUSTOMER SERVICE at 1-800-533-1806.

FIRE-RATED ROLL-IN PAN INSTALLATION: (cont.)

When following Fire-rated requirements, the Substrate must be installed all the way to the Sub-floor. When the Shower Panels are installed, they must extend over the Attached Flange all the way to the Shower Pan floor. If only one piece of Substrate is used, the Shower Panel will bow out at the bottom to cover the Flange. (See diagrams below)



Once you have installed the Pan, you are now ready to install the Shower Panels. Please refer to the Mincey Marble Shower Panel Installation Instructions for how to install them properly.

If you have any questions, please call MINCEY MARBLE CUSTOMER SERVICE at 1-800-533-1806.