

Installation Instructions for Mincey Marble Manufacturing's Custom Shower Pans

PRE-INSTALLATION CHECKLIST
STANDARD INSTALLATION
FIRE-RATED INSTALLATION
CURB INSTALLATION

ATTENTION: If you are installing any other pan besides a Custom Pan, please see our standard Shower Pan Installation Instructions.

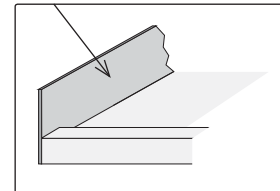
*These installation instructions can be applied to Mincey Custom Shower Pans with a Separate Curb that will be cut to fit and attached at the job site. **Drawings Are Not To Scale.***

All shower pans rest on sub-floors, not finished floors. Mincey's Cast Marble Shower Pans have been checked and leveled before leaving the production plant. They have been custom designed to drain properly if installed on a level surface.

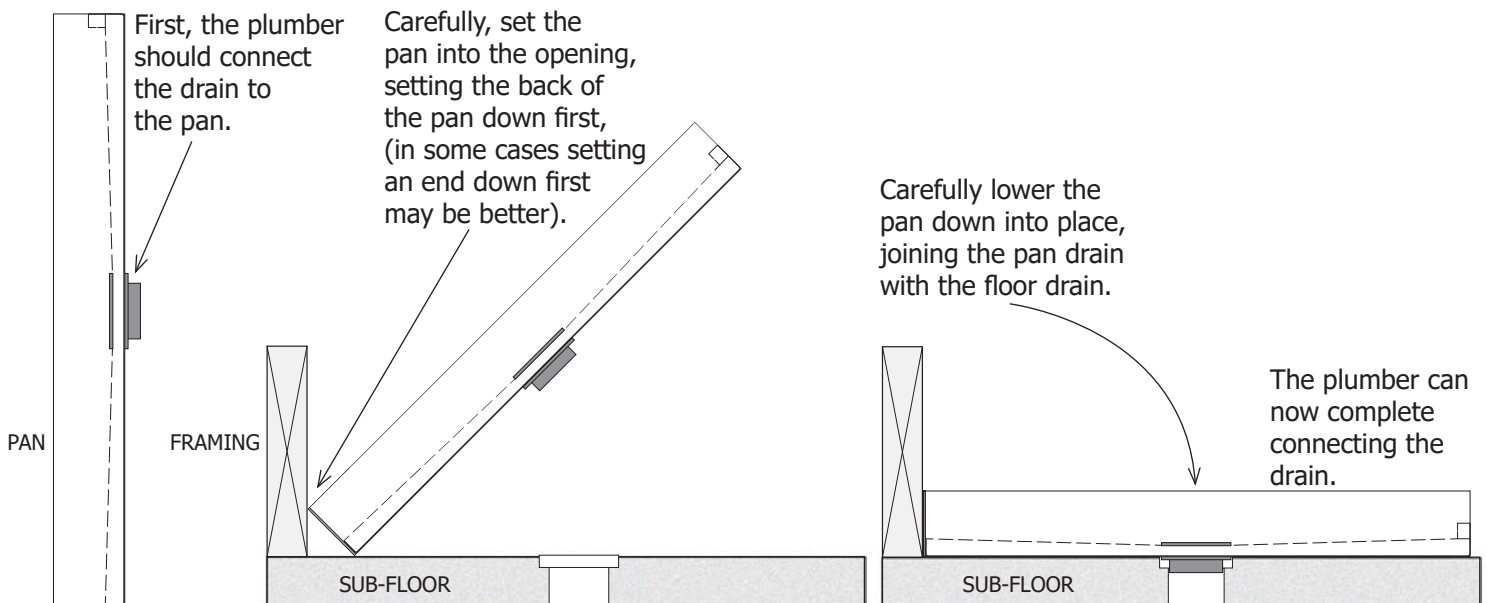
Most floors are not level. It is best to check the floor for level before installing the pan. If the floor is not level, float the floor with mortar or another suitable material and allow the material to dry **before setting the pan**. Make sure the floor is clean and free of dust and debris before setting the pan in place. Mincey Marble Pans can be shimmed to make level. We recommend using plastic shims, glued in place every eight inches.

IMPORTANT NOTE: DO NOT lift or handle pan with the Attached Fiberglass Flanges. They are not handles and it is critical that they are not damaged or broken in any way during installation. They ensure the pan will not leak in the event there is a drain problem and water overflows the basin. They also prevent water from getting behind the wall.

ATTACHED FIBERGLASS FLANGE



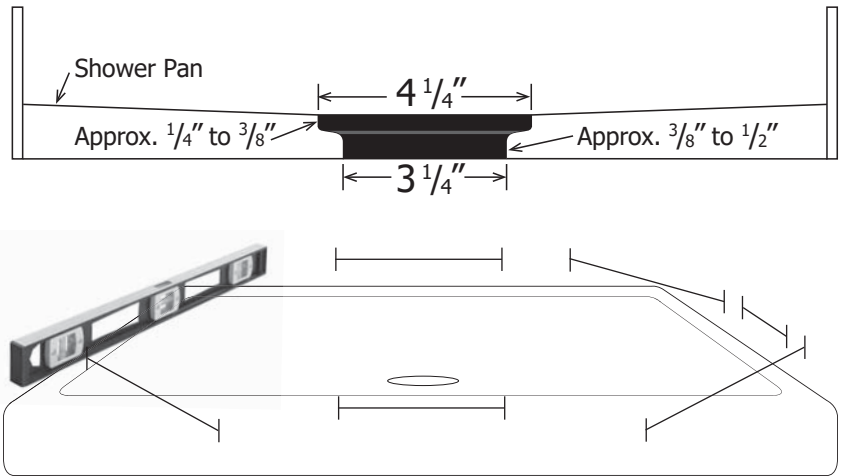
CUSTOM PAN INSTALLATION:



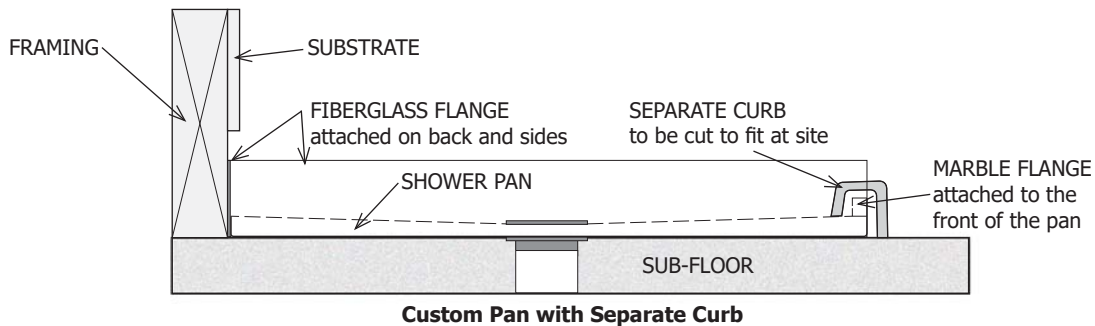
CUSTOM PAN INSTALLATION: (cont.)

Substrate material (sheetrock, etc.) should not be installed until after the plumber has connected the plumbing to the pan.

After setting the pan in place, you must check it on all four corners and diagonally in each direction for level. Shim all necessary areas to level the pan to make sure it does not move or rock at all.

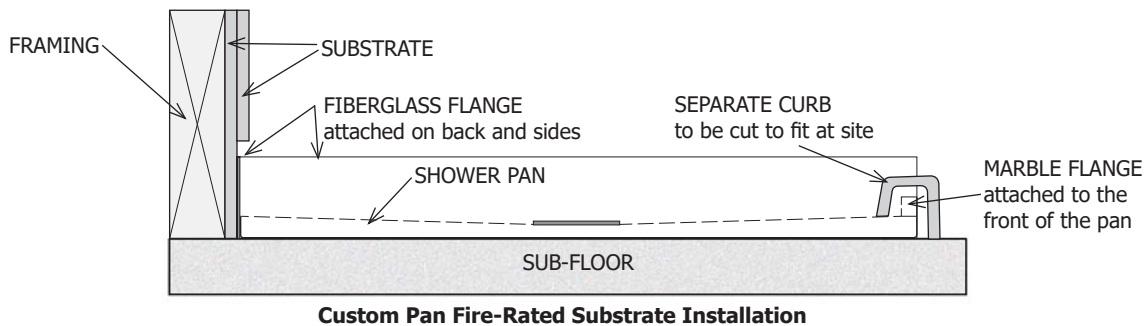


After the plumber has connected the drain, the substrate material (sheetrock, etc.) is ready to be installed. The substrate material should stop approximately 1/4" above the flange of the pan. (See diagram below)



FIRE-RATED CUSTOM PAN INSTALLATION:

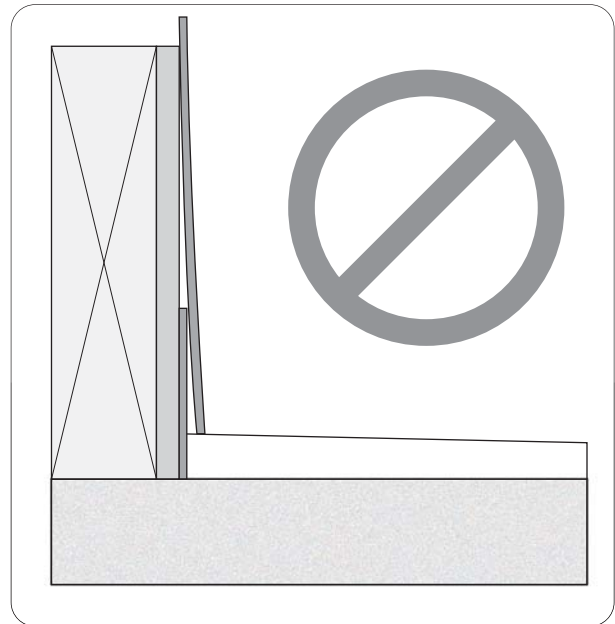
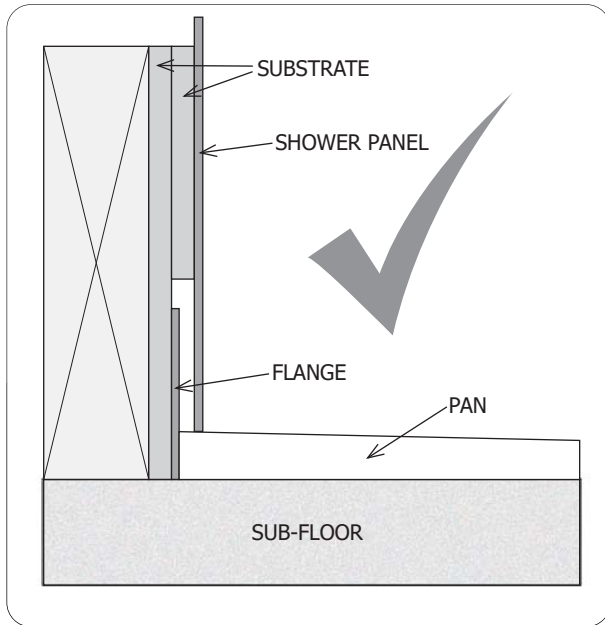
Begin with installing the first layer of Fire-rated Substrate. Then, the preferred method is to install a second layer of Fire-rated Substrate stopping just above the Fiberglass Flange. The second layer can be installed before or after the Shower Pan is in place. The second layer of Substrate will allow the Shower Panels to be installed from the surface of the pan upward without the Shower Panels bowing out.



If you have any questions, please call MINCEY MARBLE CUSTOMER SERVICE at 1-800-533-1806.

FIRE-RATED CUSTOM PAN INSTALLATION: (cont.)

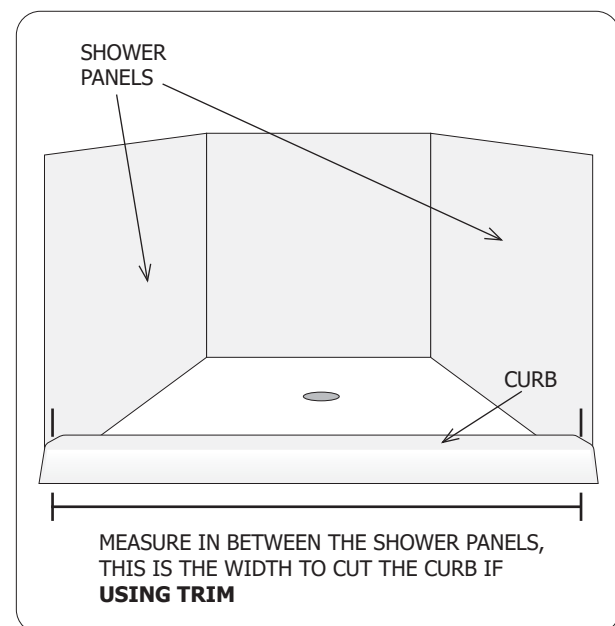
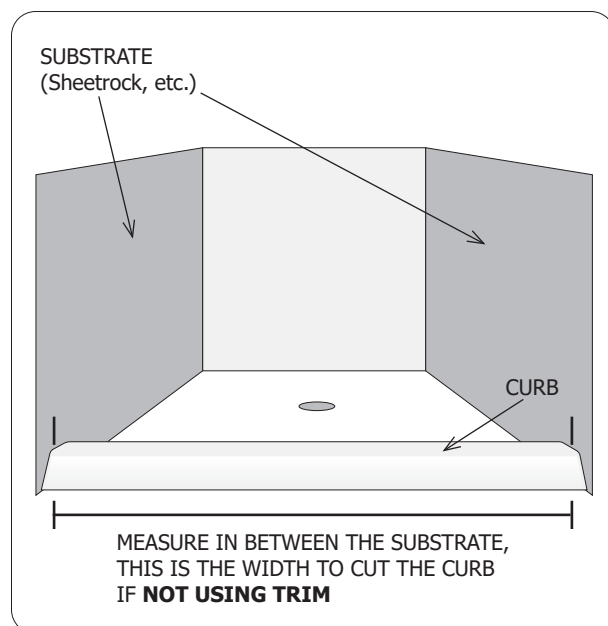
When following Fire-rated requirements, the Substrate must be installed all the way to the Sub-floor. When the Shower Panels are installed, they must extend over the Attached Flange all the way to the Shower Pan floor. If only one piece of Substrate is used, the Shower Panel will bow out at the bottom to cover the Flange. (See diagrams below)



SEPARATE CURB INSTALLATION

In order to install the Separate Curb, it will need to be determined whether any Trim or Baseboards are going to be used. If you ARE going to be using Trim or Baseboards, you will need to install the Shower Panels before you install the Curb. You will measure the width between the Installed Shower Panels to determine the width in which the Curb needs to be trimmed.

If you are NOT installing Trim or Baseboards, you will need to install the Curb before you install the Shower Panels. The Curb width will be cut to the measurement taken between the Substrate walls (Sheetrock, etc.).

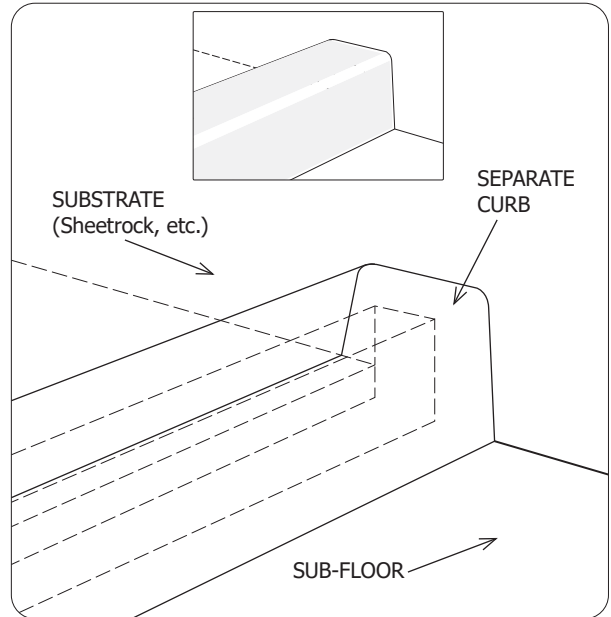
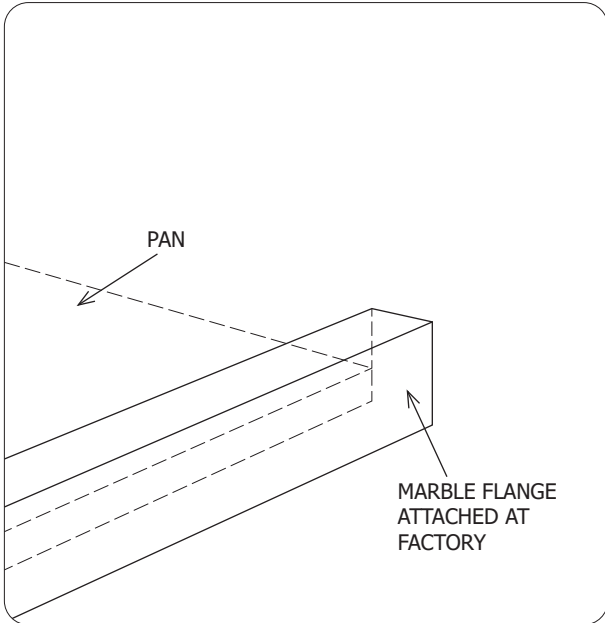


If you have any questions, please call MINCEY MARBLE CUSTOMER SERVICE at 1-800-533-1806.

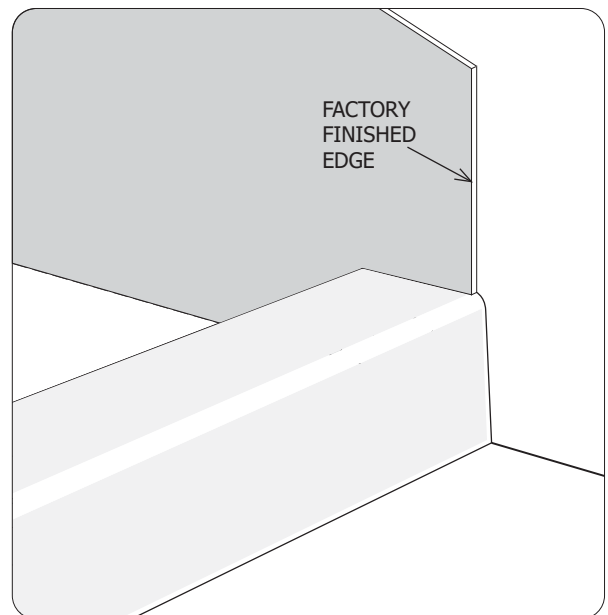
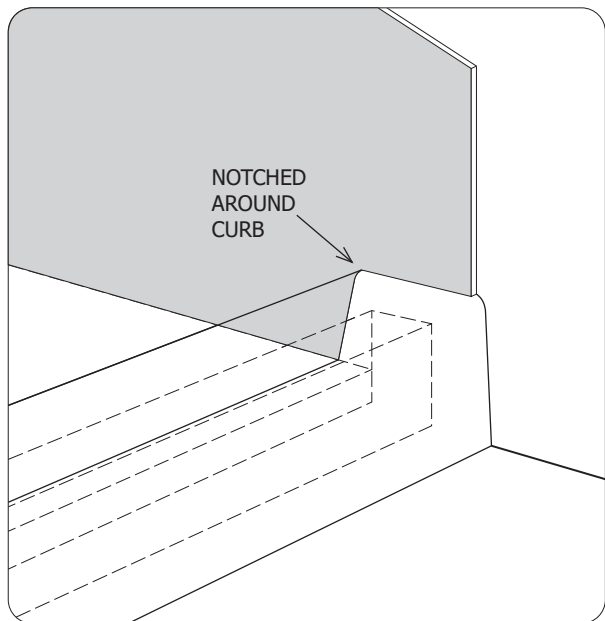
SEPARATE CURB INSTALLATION: **Without** Trim or Baseboards

When installing the Separate Curb to the Shower Pan without Trim or Baseboards, you must install the Curb before you install the Shower Panels. Start by trimming the Curb to the width between the Substrates. (Sheetrock, etc.)

ATTENTION: You can find how to install the Separate Curb to the Shower Pan further in these instructions.



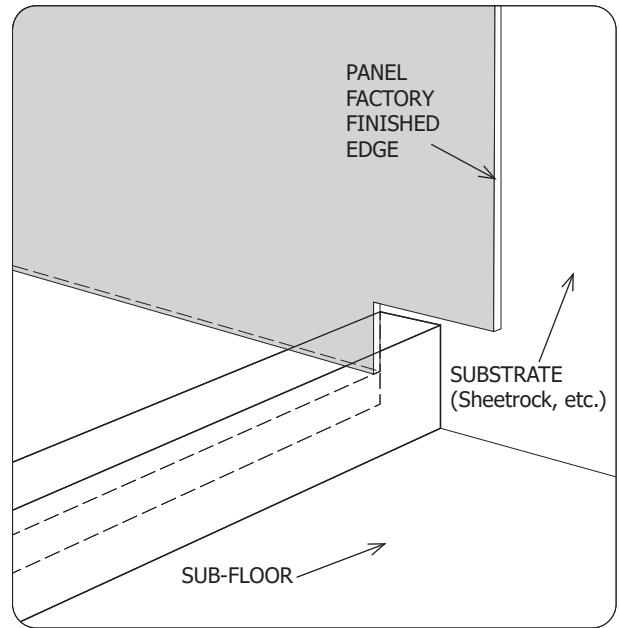
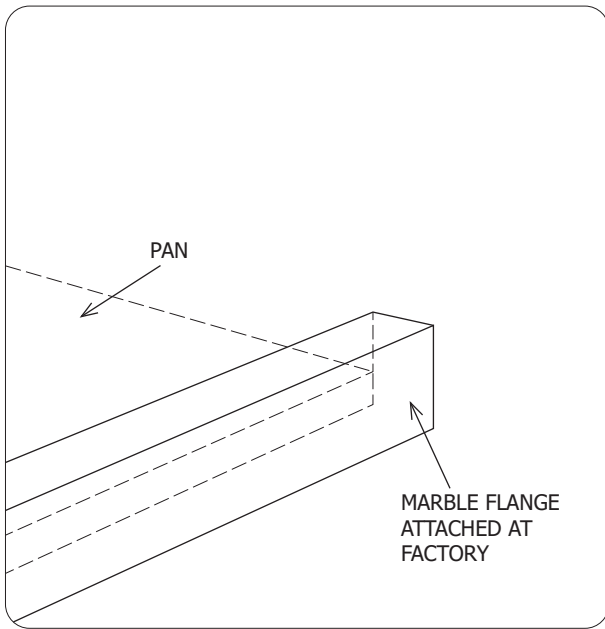
To install the Shower Panels, follow the Shower Panel Installation Instructions. In addition to measuring and trimming the Shower Panels as directed in the Installation Instructions, you will need to carefully notch out each side panel to tightly wrap around the Installed Separate Curb with the Factory Finished Edges outward. When the Panels have been installed, you can then apply 100% Silicone between the Curb and the Pan, the Curb and the Panels and the Panels and the Pan.



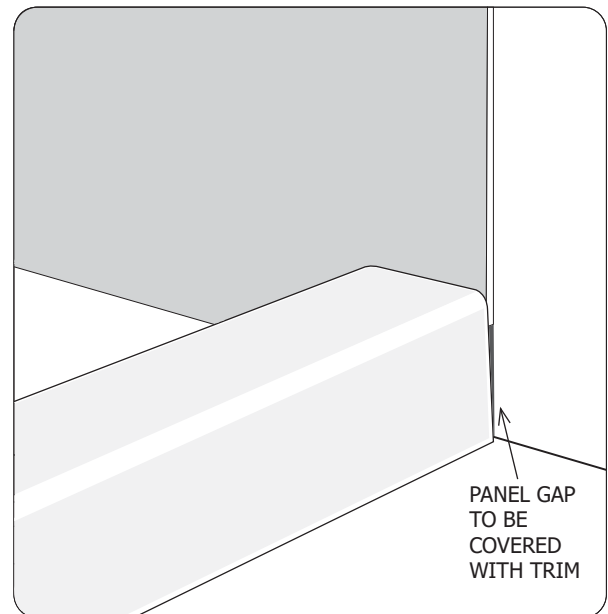
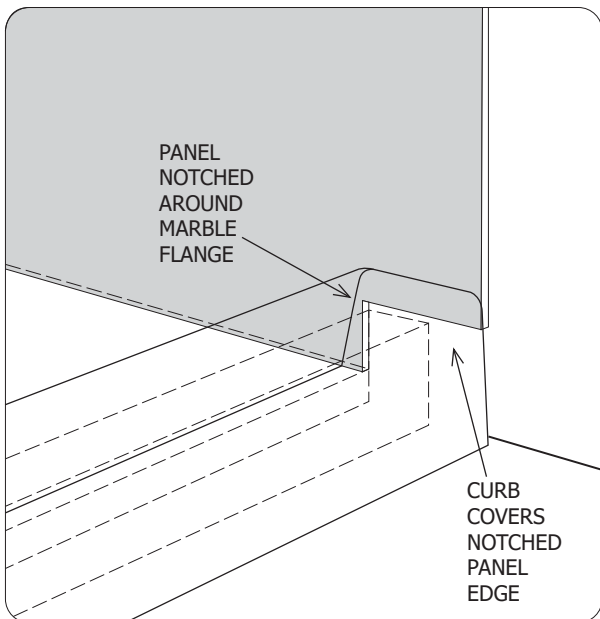
If you have any questions, please call MINCEY MARBLE CUSTOMER SERVICE at 1-800-533-1806.

SEPARATE CURB INSTALLATION: **With** Trim or Baseboards

When installing the Separate Curb to the Shower Pan with Trim or Baseboards, you must install the Shower Panels before you can install the Curb. Please refer to the Shower Panels Installation Instructions for how to install the Panels. However, you will need to notch out the Side Panels for the Attached Marble Flange at the front of the Pan. (See diagrams)



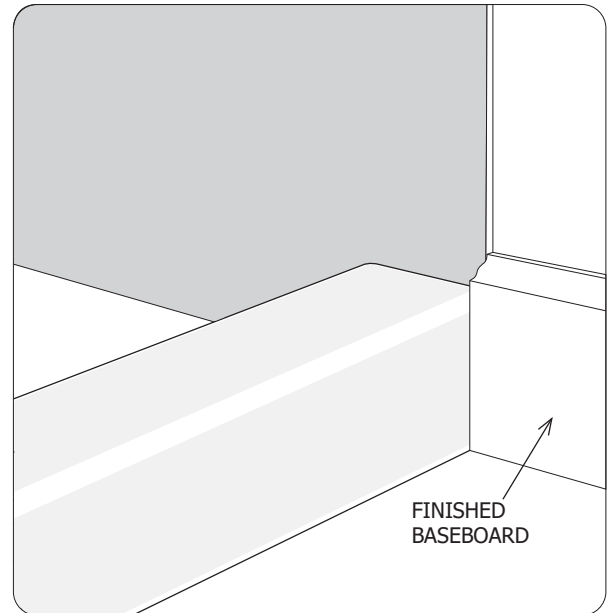
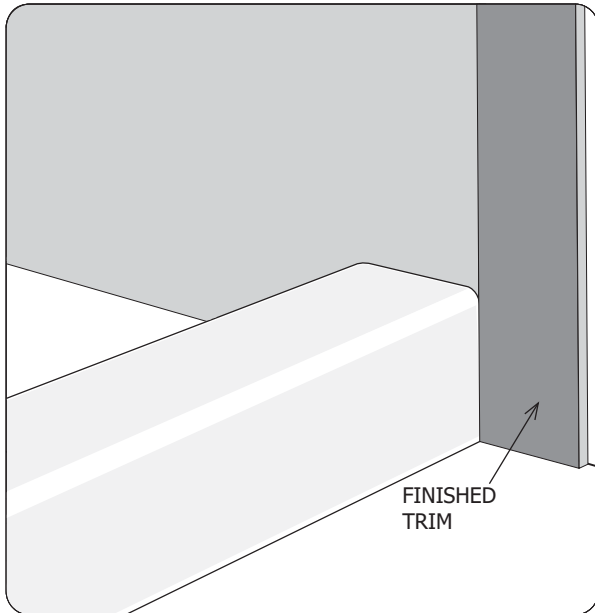
If you have completed measuring and trimming the Shower Panels as directed in the Shower Panel Installation Instructions, notching out around the Marble Flange, and installing the Panels, you are ready to install the Curb.



If you have any questions, please call MINCEY MARBLE CUSTOMER SERVICE at 1-800-533-1806.

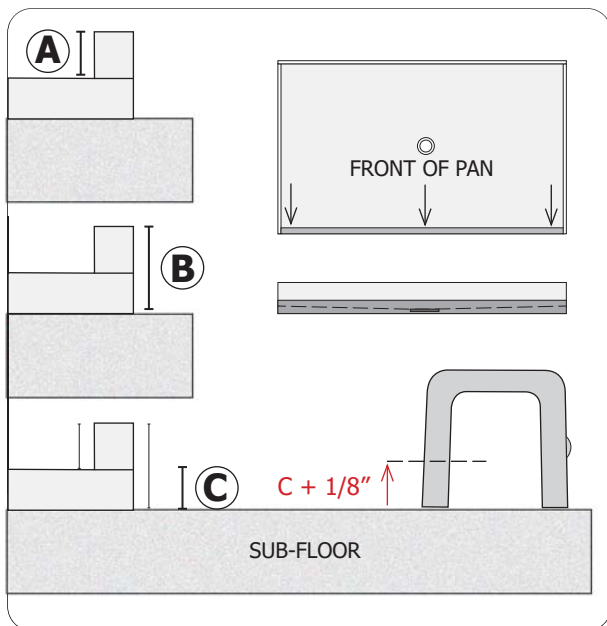
SEPARATE CURB INSTALLATION: With Trim or Baseboards (cont.)

After installing the Curb, there will be a small gap the width of the Side Panel. This will be covered up by the Trim piece or by a Baseboard. You will then be ready to apply 100% Silicone from the Curb to the Pan, from the Curb to the Panel and from the Panel to the Trim.



SEPARATE CURB INSTALLATION: Fitting and Trimming to the Shower Pan

To install the Separate Curb, the inside edge of the Curb must first be trimmed to fit the sloped base of the Pan. The outside of the Curb can be identified by the Mincey Marble badge on the outer edge. The Shower Pan has a sloping base designed from the factory to provide proper drainage, and the Curb must be trimmed to fit tightly.



A: First, measure from the top of the Attached Marble Flange to the floor of the Pan in all three indicated locations; the center and on the two ends. This will give you the correct descending slope towards the drain designed into the pan.

B: Then, measure from the top of the Marble Flange to the Sub-floor in all three locations.

C: Next, deduct the measurement of **A** from **B**. This will give you the **C** measurements, there will be three of them. **You will need to add 1/8" to this measurement - this will ensure an inward sloping fall towards the pan for water to drain into the pan.** This will be the measurement that you will trim off of the bottom inside edge of the Curb. Connect the three marks and trim.

The Curb may require some additional trimming to make sure it is a tight fit to the Pan, and has a proper drain fall. Attach the Curb to the Pan with 100% Silicone applied to the bottom of the Curb.

Once the Pan, the Shower Panels and the Separate Curb have been installed, finish by applying a bead of 100% Silicone from the Curb to the Pan, the Curb to the Panels, the Panels to each other and the Panels to the Pan. You have completed the installation of our Mincey Marble Cast Marble Shower Products.

If you have any questions, please call MINCEY MARBLE CUSTOMER SERVICE at 1-800-533-1806.