

Installation Instructions for Mincey Marble Manufacturing's Napoli Bow Front Barn Door Shower Enclosures

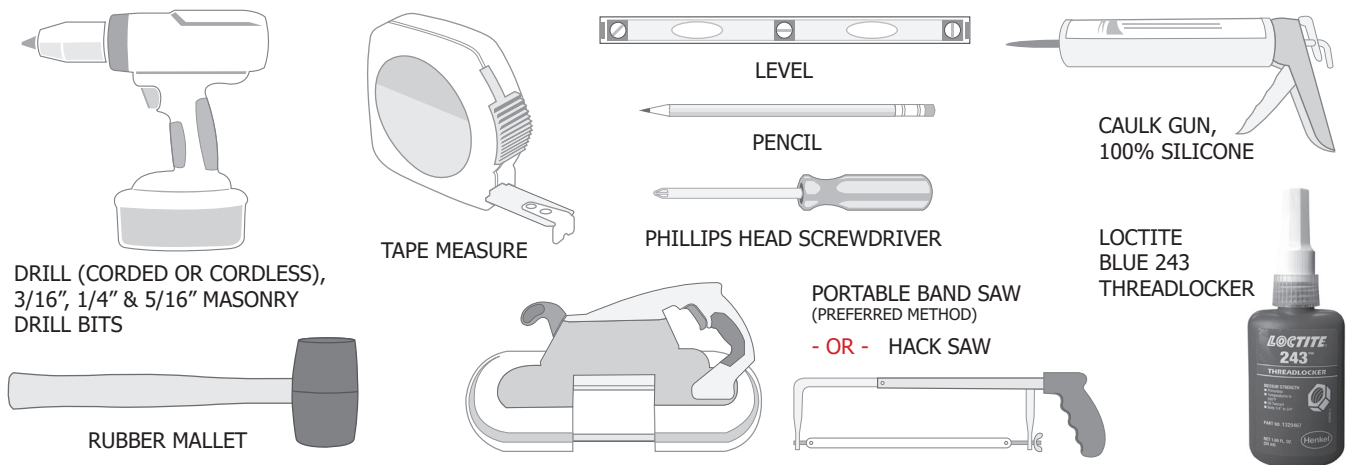
MATERIALS / TOOLS NEEDED CHECKLIST
PRE-INSTALLATION PIECES / PARTS LIST
ENCLOSURE SYSTEM INSTALLATION

ATTENTION: Prior to starting the installation, please read through these instructions. This will help avoid any unnecessary breakage. Any breakage due to handling or installing this enclosure system is the responsibility of the installer and is not covered under the Mincey Warranty. Mincey recommends that two people are used to install this shower enclosure system due to the weight and fragility of the glass panels. Mincey also recommends that you protect the glass, especially the bottoms, and the shower pan during installation.

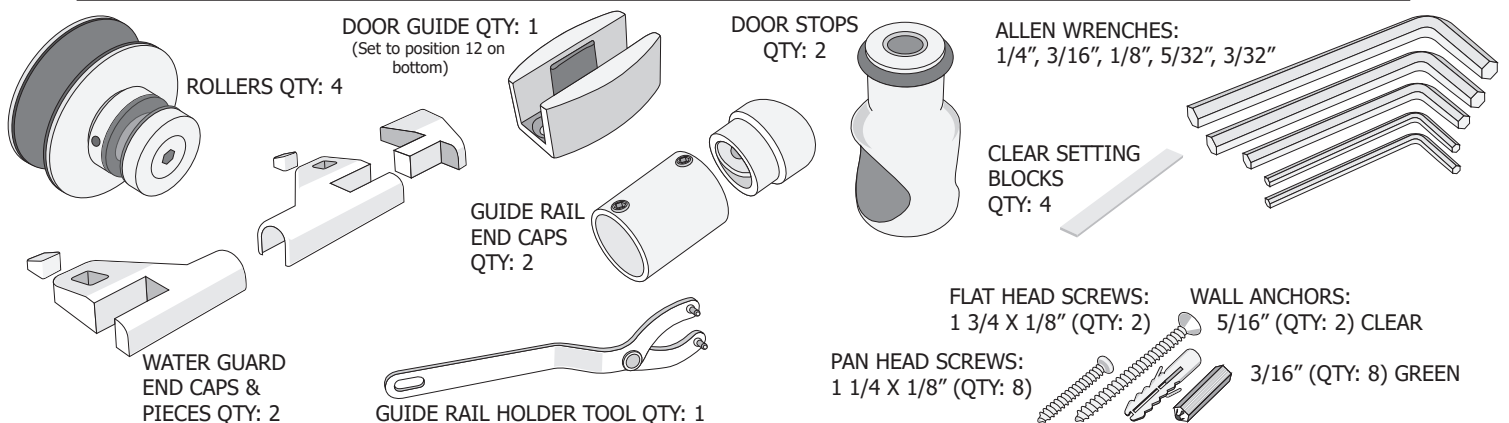
*These installation instructions apply to the Mincey Napoli Bow Front Barn Door Shower Enclosure System. In these instructions we are going to use an example with a 58" wide shower, with the opening door located on the right side of the shower and the fixed glass panel on the left. This Shower Enclosure System is Left or Right Specific; you will need to specify Left or Right when ordering. **All Drawings Are Not To Scale.***

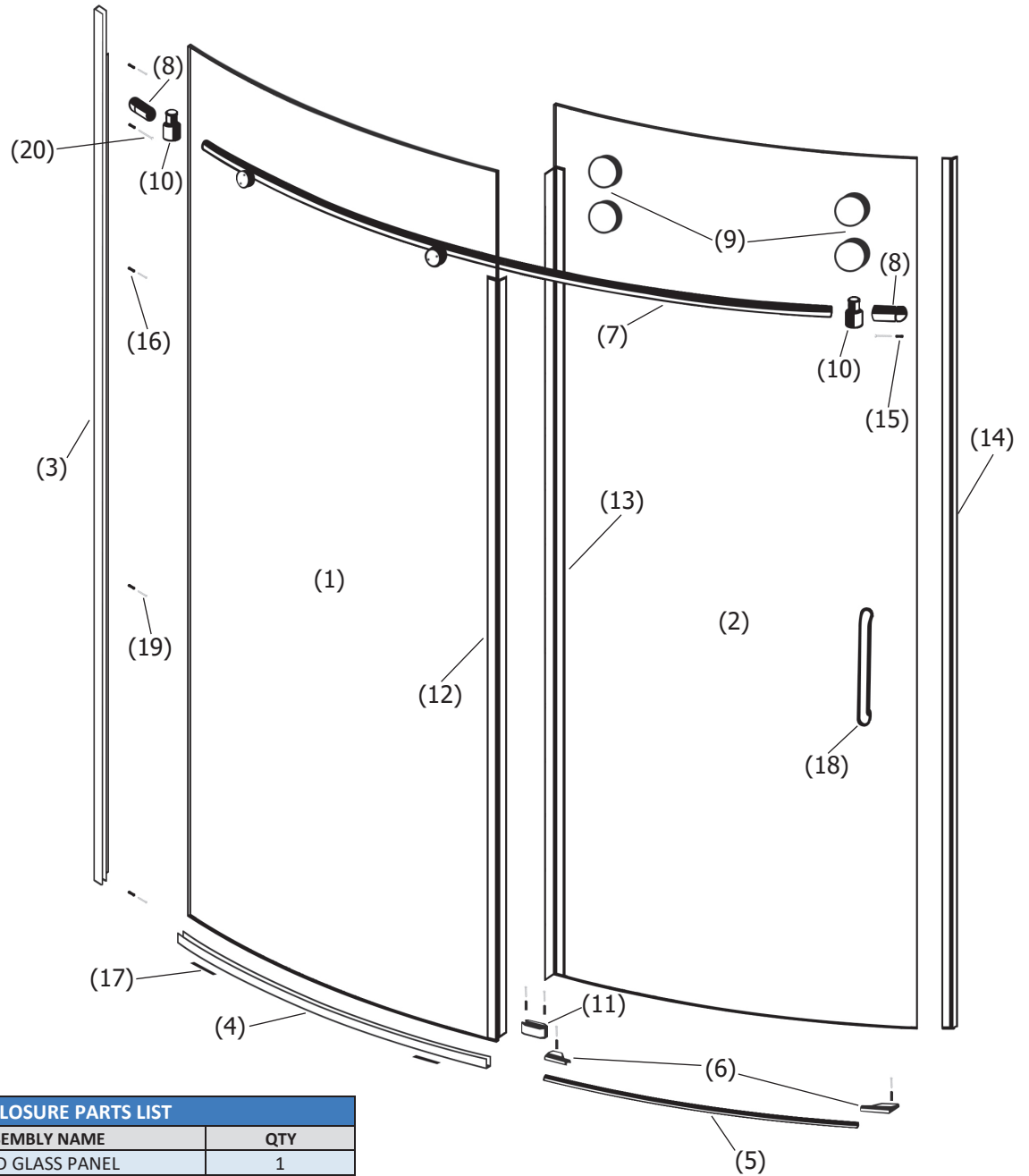
Uncrate all of the materials and confirm that all of the parts and pieces are present. The Required Tools are listed below. The contents of the Hardware Kit are listed below. The Parts Diagram is on the following page. Before you begin the installation, make sure that all of the pertinent surfaces are clean and free of dust, debris and any shavings. After you perform any drilling, you will want to make sure the surfaces are clean again - this includes the Shower Pan and the Shower Panel Walls.

MATERIALS / TOOLS NEEDED



INCLUDED IN THE HARDWARE KIT



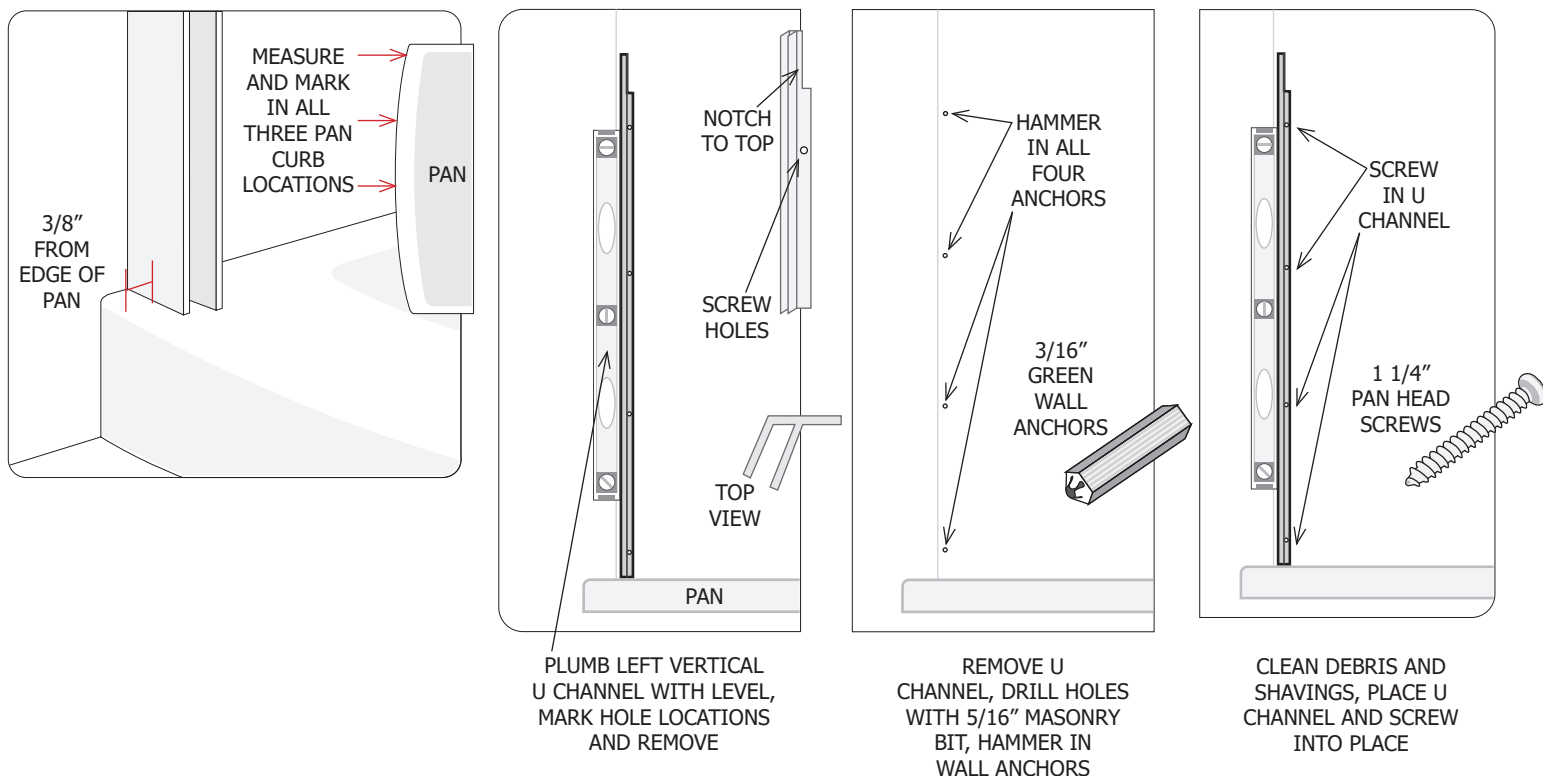


SHOWER ENCLOSURE PARTS LIST		
ASSEMBLY CODE	ASSEMBLY NAME	QTY
1	FIXED GLASS PANEL	1
2	SLIDING GLASS PANEL	1
3	VERTICAL U CHANNEL	1
4	BOTTOM U CHANNEL	1
5	WATER GUARD	1
6	WATER GUARD END CAPS	2
7	GUIDE RAIL	1
8	GUIDE RAIL END CAPS	2
9	ROLLERS	4
10	DOOR STOPS	2
11	DOOR GUIDE	1
12	SHORT F-SEAL	1
13	LONG F-SEAL	1
14	BUBBLE SEAL	1
15	5/16" CLEAR WALL ANCHORS	2
16	3/16" GREEN WALL ANCHORS	8
17	CLEAR SETTING BLOCKS	4
18	HANDLE	1
19	1 1/4" X 1/8" PAN HEAD SCREWS	8
20	1 1/8" X 1/8" FLAT HEAD SCREWS	2

NAPOLI BOW FRONT BARN DOOR ENCLOSURE SYSTEM INSTALLATION

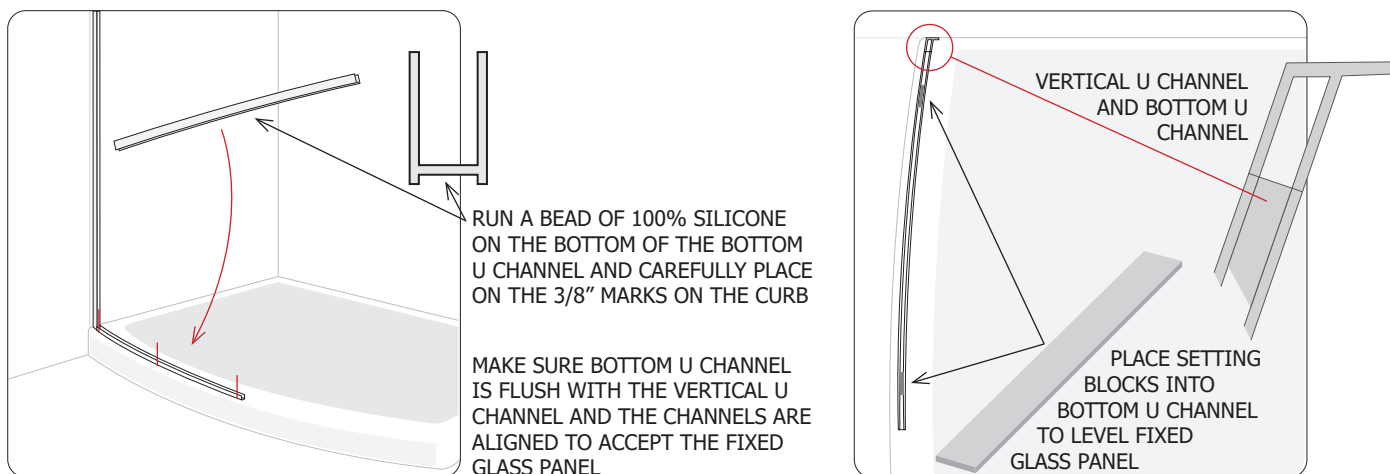
These instructions are to be followed assuming the Shower Pan is level and the Walls are plumb. In these instructions and as an example, we will be installing the Napoli Bow Front Barn Door Shower Enclosure in a 58" wide shower. After you have confirmed that all of the remaining parts and pieces are present, you are ready to begin by preparing to install the LEFT VERTICAL U CHANNEL.

Begin by making marks on the top of the Shower Pan Curb 3/8" from the front of the Curb. Place marks at the Left Panel Wall, in the Center of the Pan and one in-between those two marks. Hold LEFT VERTICAL U CHANNEL up against the Left Wall Panel, plumb with the Level and mark where the four holes are to be drilled in the Top, Center and Bottom locations. The notched area is to be located at the top.

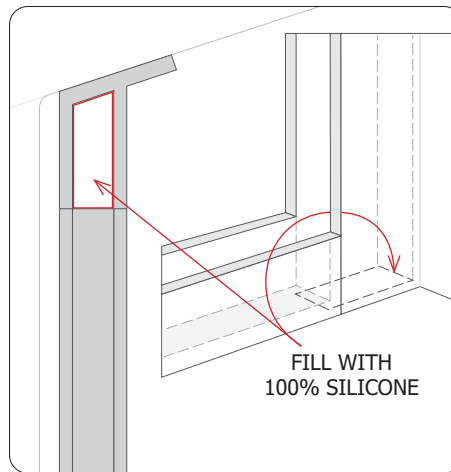
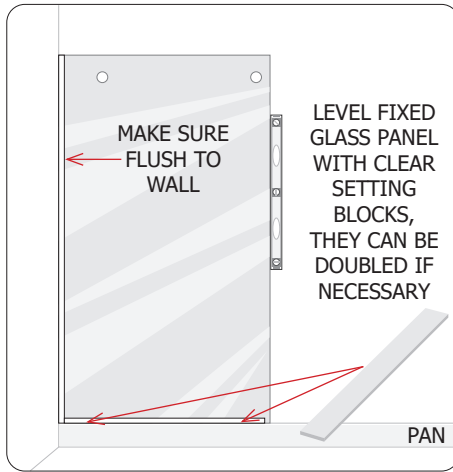


Next, run a bead of 100% Silicone the length of the bottom of the BOTTOM U CHANNEL. Carefully place the BOTTOM U CHANNEL onto the Shower Pan Curb on the edge of the marks at 3/8" from the front of the Shower pan. The BOTTOM U CHANNEL should be flush against the VERTICAL U CHANNEL aligning their centers so that the Fixed Glass Panel will slide into place into both channels.

Then, you will place TWO CLEAR SETTING BLOCKS near the ends of the BOTTOM U CHANNEL for the Fixed Glass Panel to rest on. These CLEAR SETTING BLOCKS can be cut and doubled-up if necessary for leveling.



Now you are ready to install the FIXED GLASS PANEL. You will begin by test-fitting the FIXED GLASS PANEL. Place the panel into the the Vertical and Bottom U Channels making sure the panel is flush to the wall. **The hole closest to the edge of the FIXED GLASS PANEL is to be located furthest from the Wall.** Check for level. Add CLEAR SETTING BLOCKS into the Bottom U Channel at either end to Level the FIXED GLASS PANEL. You can trim and stack the CLEAR SETTING BLOCKS if necessary to Level the panel. Once Level, remove the FIXED GLASS PANEL leaving the CLEAR SETTING BLOCKS in place.

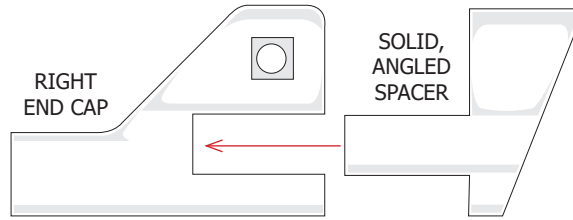
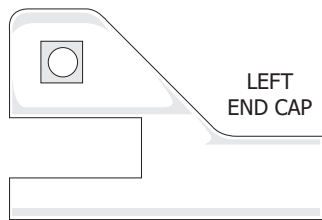


AFTER LEVELING THE FIXED GLASS PANEL AND REMOVING IT, FILL THE CORNER AREA WHERE THE BOTTOM U CHANNEL AND THE VERTICAL U CHANNEL MEET WITH 100% SILICONE.

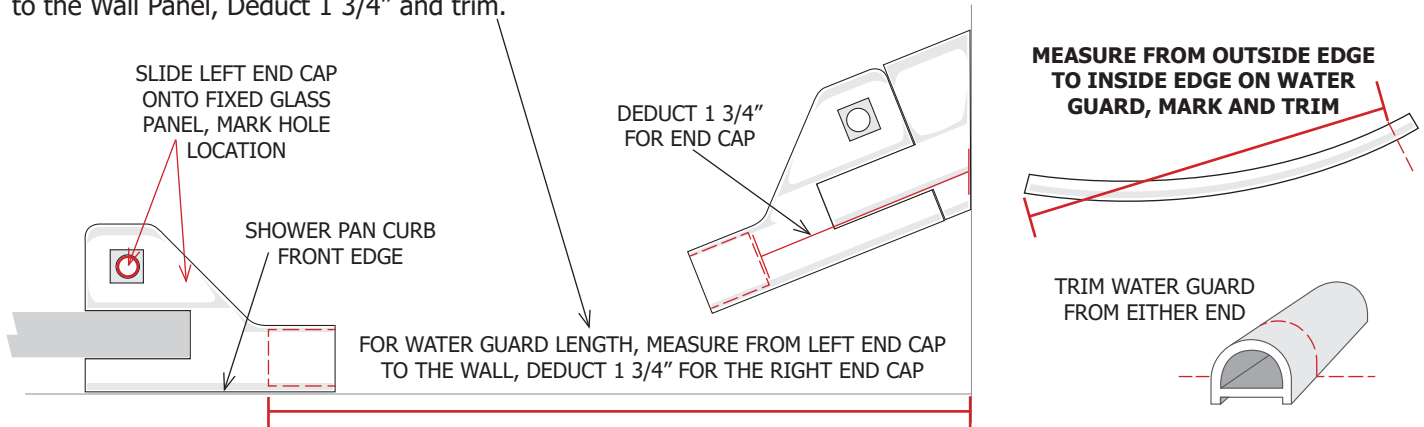
THEN, CAREFULLY REPLACE THE FIXED GLASS PANEL BACK INTO THE U CHANNELS MAKING SURE IT IS FLUSH WITH THE WALL.

WIPE AWAY ANY EXCESS SILICONE AND PROCEED.

Next, you will prepare to install the WATER GUARD and its END CAPS. Begin by sliding the LEFT WATER GUARD END CAP under the slight edge of the Glass Panel now protruding from the Bottom U Channel. Next, insert the Solid, Angled Spacer into the Right WATER GUARD END CAP.

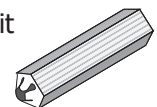


Then, Measure and Trim the Water Guard. Measure from the Left Water Guard End Cap to the Wall Panel, Deduct 1 3/4" and trim.



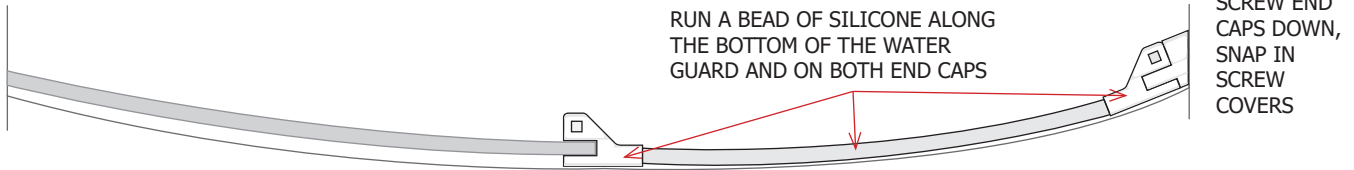
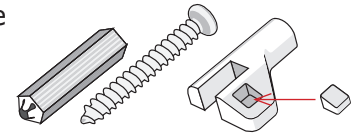
After trimming the Water Guard, snap the Water Guard into the End Caps with the Rounded Edge upward. Place the assembled Water Guard down onto the Curb with the Left End Cap securely flush with the Fixed Glass Panel. Adjust the Right End Cap so that the End Cap and Angled Spacer are flush to the Wall Panel. Mark the Hole Locations to be drilled into the Shower Pan Curb. Remove the Water Guard.

Drill the two holes for the Water Guard End Caps into the Shower Pan Curb with a 3/16" Masonry Bit and clean up any debris or shavings. **Fill the two holes with 100% Silicone.** Hammer in two, Green, 3/16" Plastic Anchors, clean excess silicone.

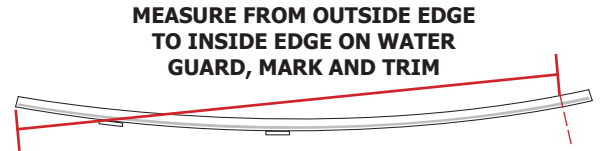
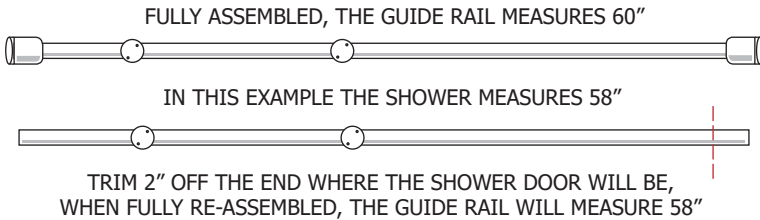


NAPOLI BOW FRONT BARN DOOR ENCLOSURE SYSTEM INSTALLATION (cont.)

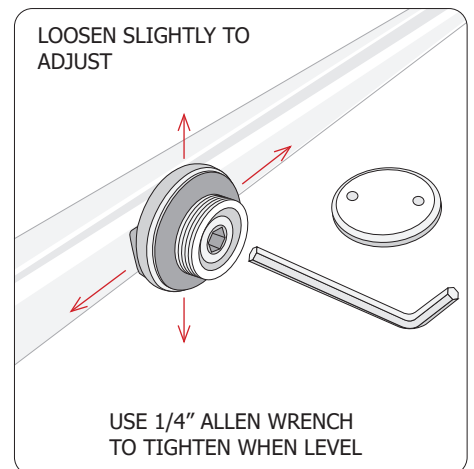
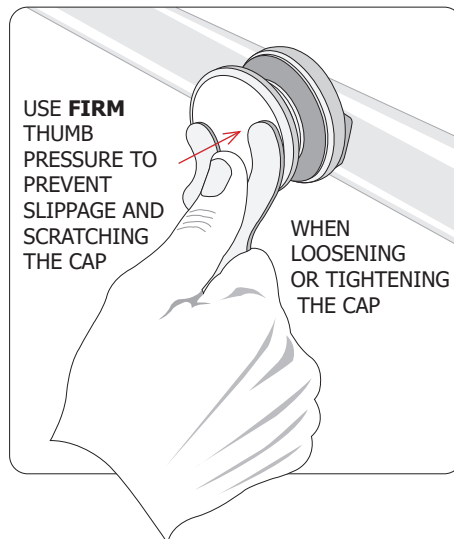
Snap the WATER GUARD into both End Caps with the Rounded Edge upward. Run a bead of 100% Silicone the length of the WATER GUARD and apply onto the bottoms of the End Caps. Place whole assembly back into place onto the Shower Pan Curb and Screw into place using two 1 1/4" x 1/8" Pan Head Screws. Install End Cap Screw Covers by snapping them into place.



You are now ready to install the GUIDE RAIL. First, measure 72" up from the Shower Pan and measure the distance between the Wall Panels. In this example, the measurement will be 58". This Napoli Shower Enclosure GUIDE RAIL measures 60" when fully assembled with the End Caps installed. Therefore in this example, 2" will need to be trimmed off of the GUIDE RAIL. **Trim 2" off the GUIDE RAIL from the end where the Shower Door will be located, not the end to be installed to the Wall on the Fixed Glass Panel side.** (Trim the end where the Fixed Glass Panel Holders are not located.)

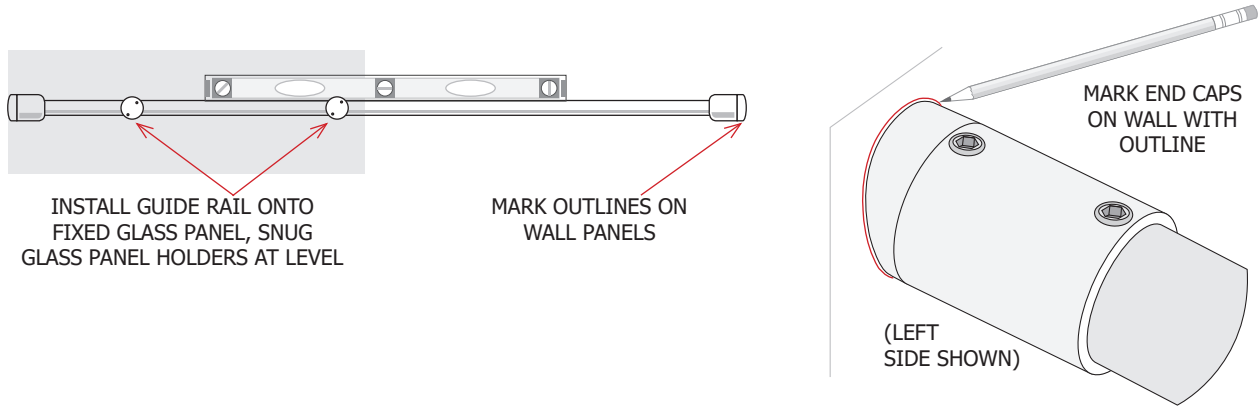


Next, disassemble the GUIDE RAIL by carefully removing the Fixed Glass Panel Holders using the Fixed Glass Panel Holders Tool. Use FIRM thumb pressure to carefully remove the Holders without scratching them by allowing the tool to slip out of the designated holes.

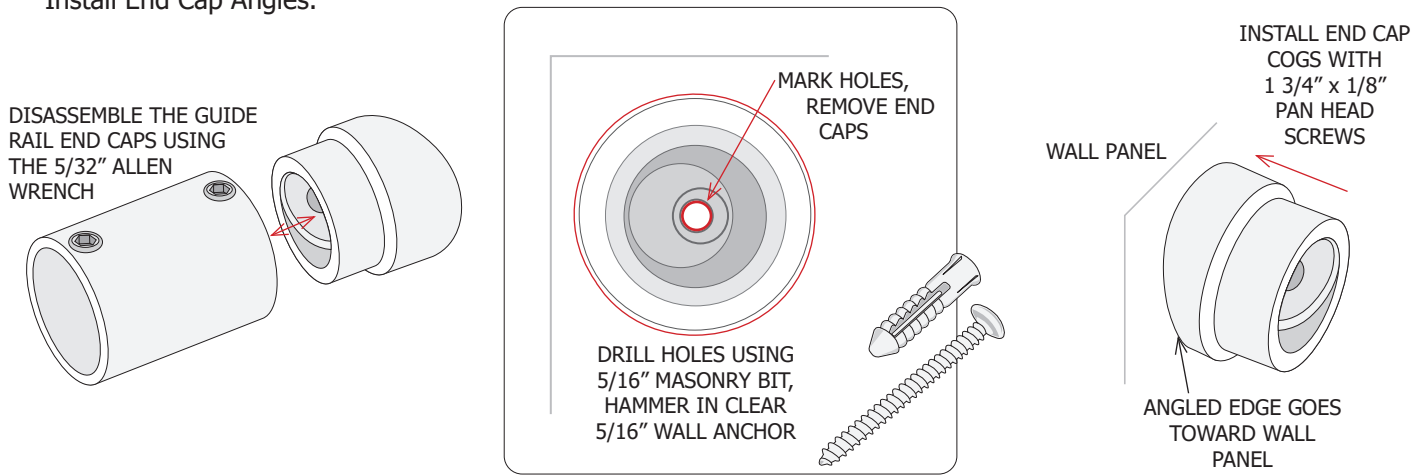


If you have any questions, please call MINCEY MARBLE CUSTOMER SERVICE at 1-800-533-1806.

Assemble the two GUIDE RAIL END CAPS and slide them onto the ends of the GUIDE RAIL. Install the GUIDE RAIL onto the Fixed Glass Panel. LEVEL the GUIDE RAIL and snug the GUIDE RAIL HOLDERS. Mark the ends by outlining the END CAPS onto the Wall Panels. Next, uninstall the GUIDE RAIL off of the Fixed Glass Panel.

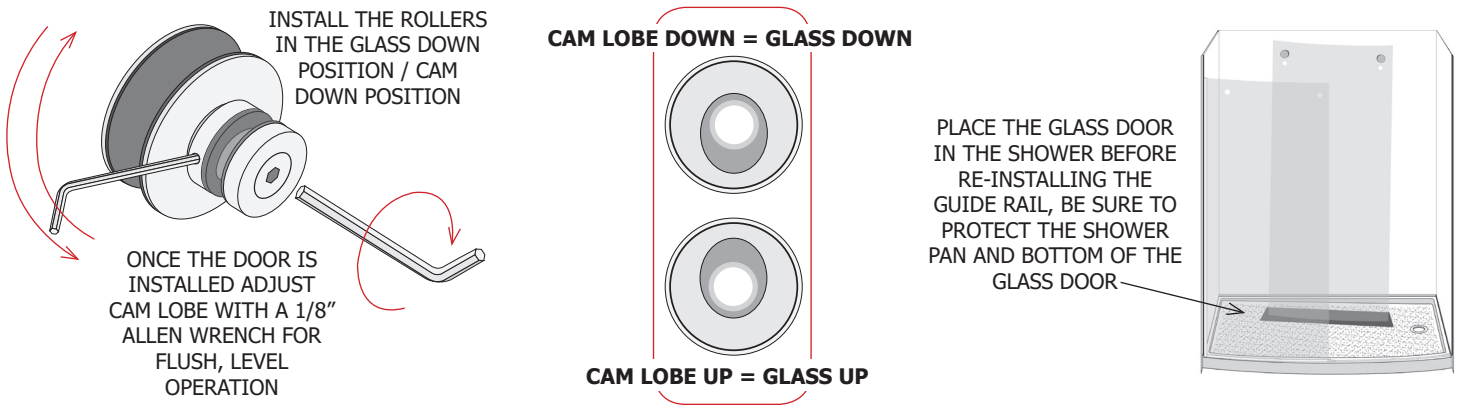


After you have marked where the Guide Rail End Caps are located on the Wall Panels, disassemble End Caps. Hold Angled End Cap Extensions back in place on the wall and Mark the inside holes, where you will drill. Drill End Cap mounting holes into Wall Panels using 5/16" Masonry Bit, Hammer in Clear 5/16" Wall Anchors and Install End Cap Angles.

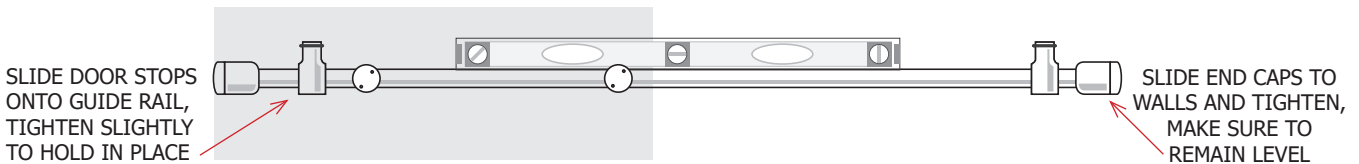


With the Guide Rail End Cap Cogs installed to the Wall Panels, you can now assemble the ROLLERS onto the GLASS DOOR. Disassemble the ROLLERS using the 3/16" Allen Wrench. Install the Top Two ROLLERS into the top two factory holes in the GLASS DOOR with the ROLLERS on the Outside of the GLASS DOOR and with the Door Handle to the Right. **Be sure to use LOCTITE Blue 243 threadlocker when installing the ROLLERS onto the GLASS DOOR.**



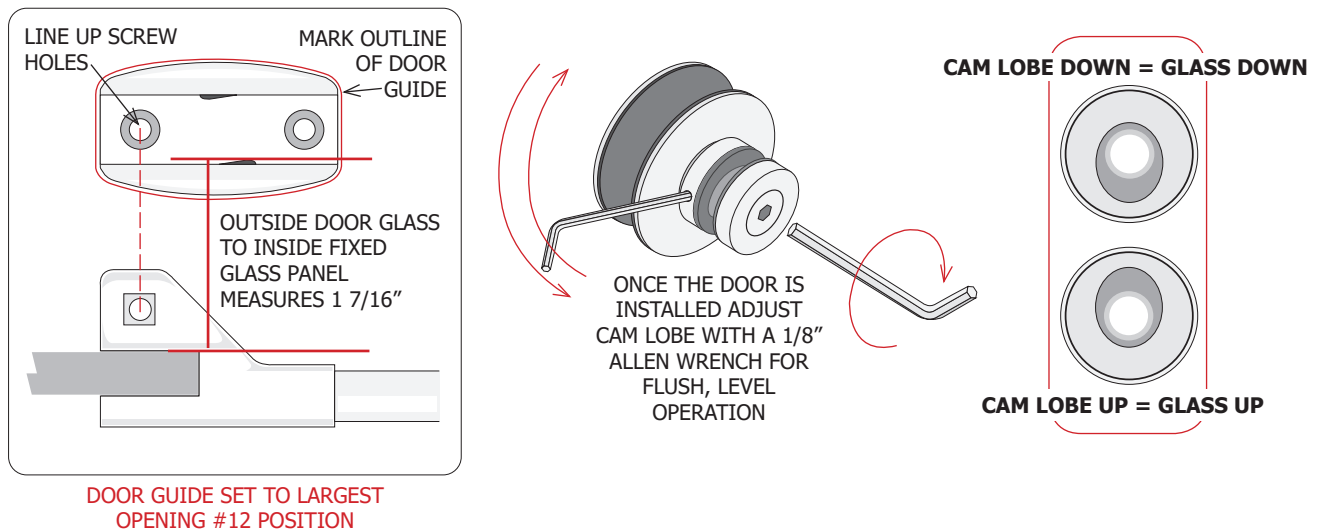


You are now ready to re-install the Guide Rail. Slide the two DOOR STOPS onto the Guide Rail tightening them slightly so they do not slide off. Also slide the Guide Rail End Cap Sleeves back onto the Guide Rail. Re-install the Guide Rail with the Fixed Glass Panel Holders. Slide the Guide Rail End Caps back to the Wall Panels and tighten everything making sure the Guide Rail remains Level.



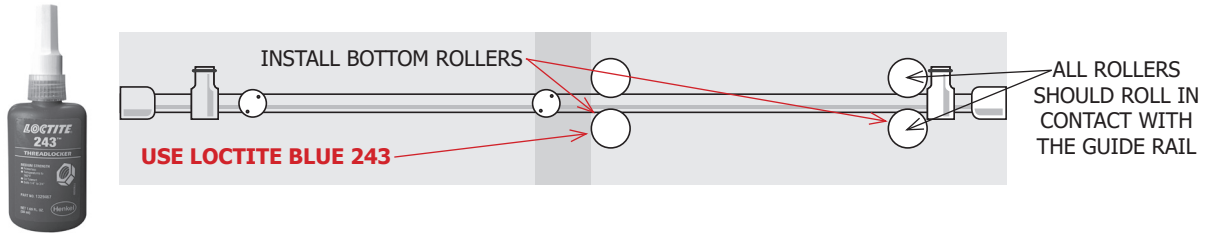
Next, you are ready to install the DOOR GUIDE. Confirm the DOOR GUIDE is set in the #12 Position by looking at the bottom. Place the DOOR GUIDE at 1 7/16" from the Inside edge of the Fixed Glass Panel to the Outside DOOR GUIDE channel, align the Left Side Screw Hole and the Left Water Guard End Cap Screw Hole and Mark the outline around the DOOR GUIDE. Mark the holes to be drilled on the Shower Pan Curb.

Remove the DOOR GUIDE. Drill the two holes using a 5/16" Masonry Bit, **Fill holes with 100% Silicone**, Hammer in Plastic Anchors, Clean any excess silicone, Install DOOR GUIDE with 1 1/4" x 1/8" Pan Head Screws. Now, Hang the Shower Door.

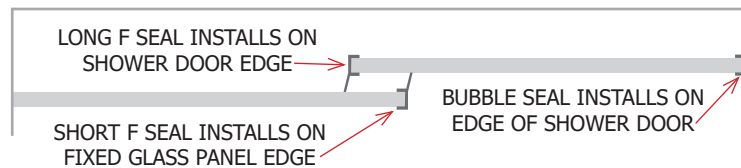


If you have any questions, please call MINCEY MARBLE CUSTOMER SERVICE at 1-800-533-1806.

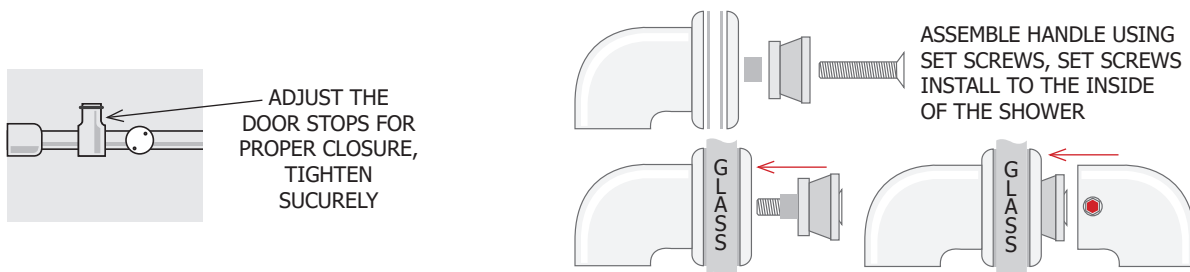
Next, install the TWO BOTTOM ROLLERS. Follow the same instructions as the Top Rollers, including using **LOCTITE BLUE 243** threadlocker on the Screws. Adjust the BOTTOM ROLLERS so that they roll and function as the Shower Door is opened and closed.



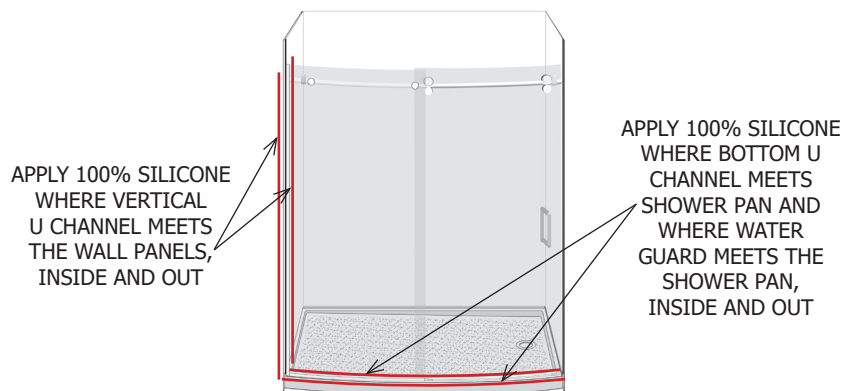
Install the DOOR F SEALS using the Rubber Mallet to tap into place. The SHORT F SEAL installs on the Fixed Glass Panel with the FIN towards the Shower Door. The LONG F SEAL installs on the Shower Door edge inside the Shower with the FIN towards the Fixed Glass Panel. The BUBBLE SEAL installs on the Shower Door edge towards the Wall Panel with the FIN towards the inside of the shower.



Adjust the DOOR STOPS for proper closure and glass protection. Then, install the handles.



Lastly, use 100% Silicone to run a bead, both inside and outside the shower, where the Vertical U Channel meets the Wall Panels, where the Bottom U Channel meets the Shower Pan and where the Water Guard meets the Shower Pan. **You must allow the Silicone to dry for 24 hours before any exposure to water or moisture.**



THANK YOU FOR USING OUR MINCEY MARBLE PRODUCT! WE APPRECIATE YOUR BUSINESS!
 If you have any questions, please call MINCEY MARBLE CUSTOMER SERVICE at 1-800-533-1806.