

Installation Instructions for Mincey Marble Manufacturing's Verona Adjustable Hinged Door Shower Enclosure

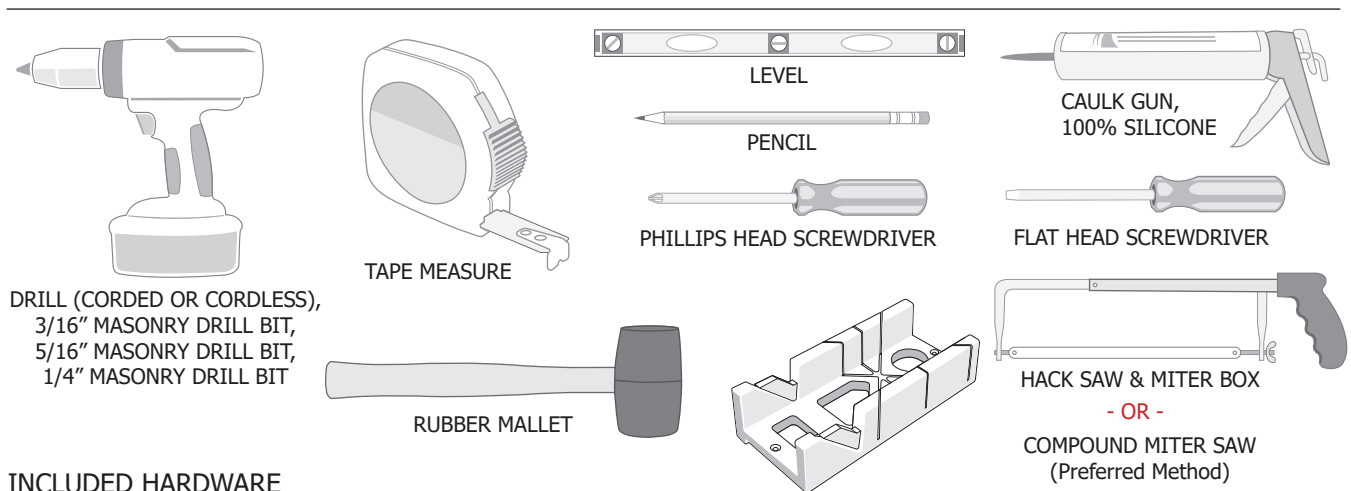
MATERIALS / TOOLS NEEDED CHECKLIST
PRE-INSTALLATION PIECES / PARTS LIST
ENCLOSURE SYSTEM INSTALLATION

ATTENTION: Prior to starting the installation, please read through these instructions. This will help avoid any unnecessary breakage. Any breakage due to handling or installing this enclosure system is the responsibility of the installer and is not covered under the Mincey Warranty. Mincey recommends that two people are used to install this shower enclosure system due to the weight and fragility of the glass panels. Mincey recommends using blocking for support of the door hinges. Mincey also recommends that you protect the glass, especially the bottoms, and shower pan during installation. If your doors have frosted glass, the frosted side of the glass goes to the outside of the shower.

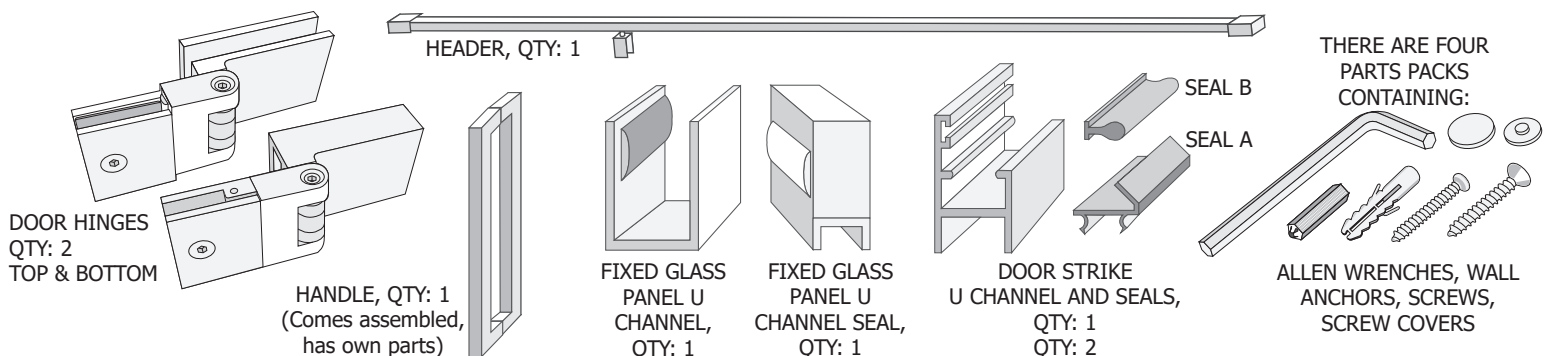
*These installation instructions apply to the Mincey Verona Adjustable Hinged Door Shower Enclosure System. **This Shower Enclosure is reversible.** In these instructions we are going to use an example with a 48" wide shower with the Fixed Glass Panel installing on the Left and the Glass Door opening on the Right. All Drawings Are Not To Scale.*

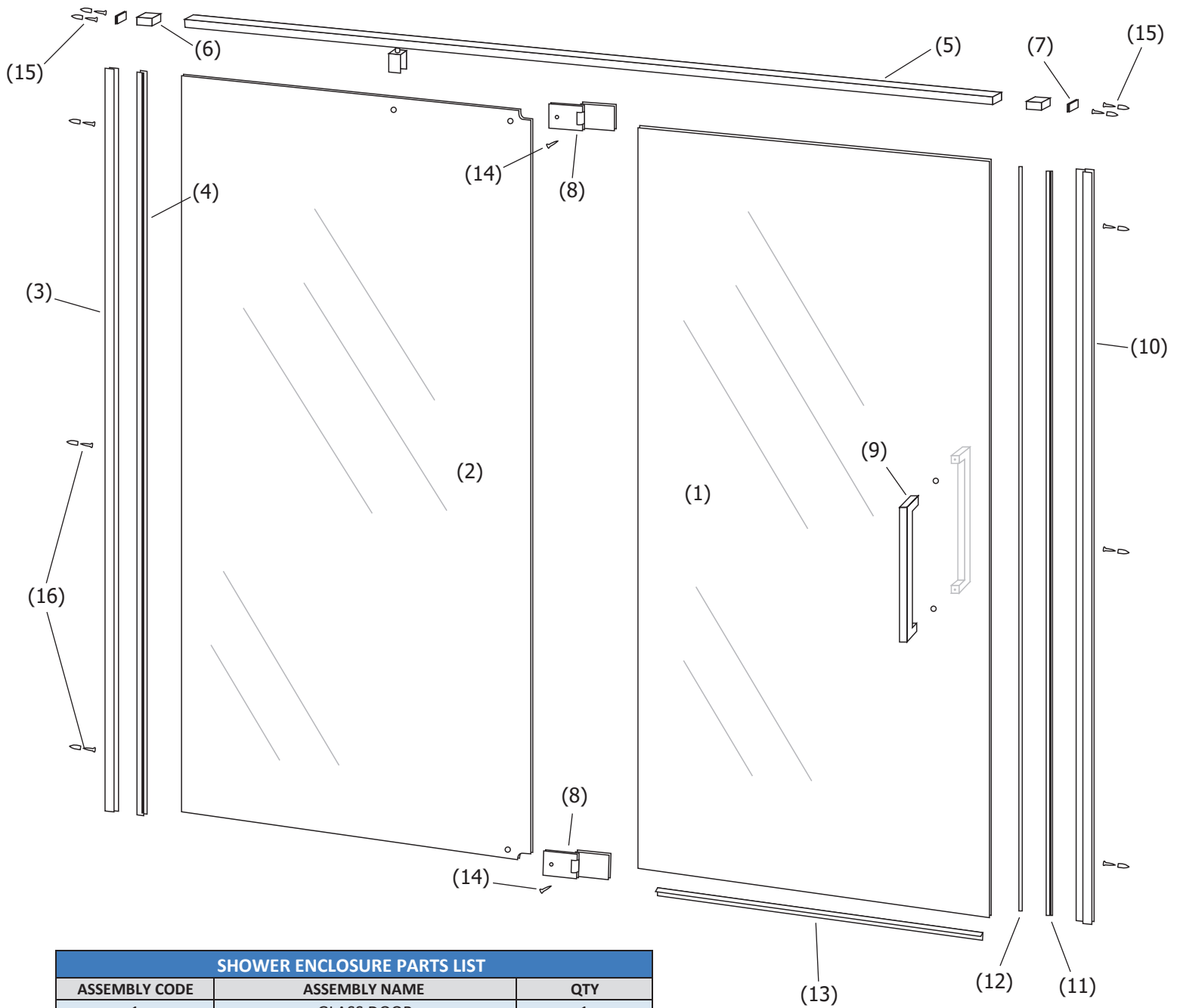
Start by uncrating the materials and confirm that all of the parts and pieces are present and are not damaged. The Required Tools are listed below. The contents of the Hardware Packs are outlined below. The Parts Diagram is on the following page. Before you begin the installation, make sure that all of the pertinent surfaces are clean and free of dust, debris and any shavings. After you perform any drilling, you will want to make sure the surfaces are clean again - this includes the Shower Pan and the Shower Panel Walls.

MATERIALS / TOOLS NEEDED



INCLUDED HARDWARE



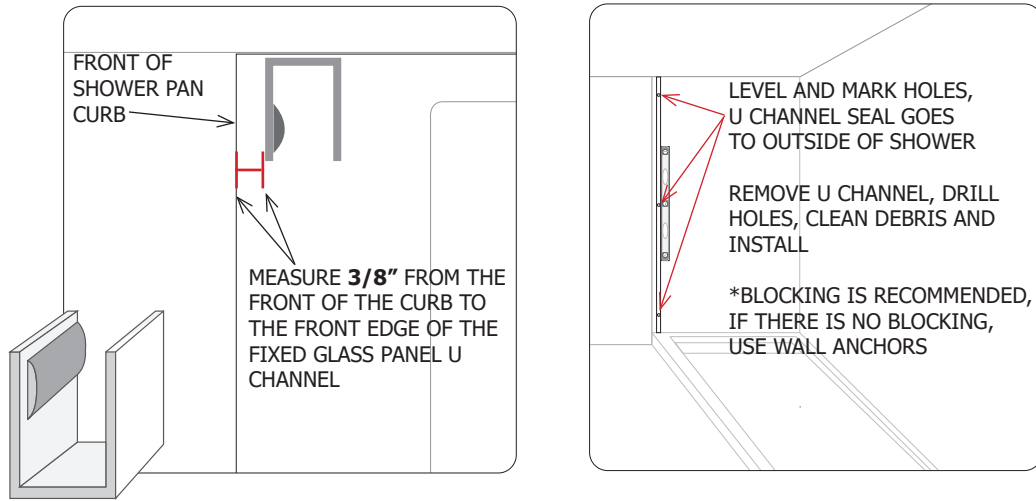


SHOWER ENCLOSURE PARTS LIST		
ASSEMBLY CODE	ASSEMBLY NAME	QTY
1	GLASS DOOR	1
2	FIXED GLASS PANEL	1
3	FIXED GLASS U CHANNEL	1
4	FIXED GLASS U CHANNEL SEAL	1
5	HEADER	1
6	HEADER CAPS	2
7	HEADER CAP MOUNTING BLOCKS	2
8	DOOR HINGES	2
9	DOOR HANDLE	1
10	DOOR STRIKE U CHANNEL	1
11	DOOR STRIKE U CHANNEL SEAL A	1
12	DOOR STRIKE U CHANNEL SEAL B	1
13	GLASS DOOR SWEEP / SEAL	1
14	DOOR HINGES PARTS KIT	2
15	HEADER PARTS KIT	1
16	U CHANNELS PARTS KITS	1

These instructions are to be followed assuming the Shower Pan is level and the Walls are plumb. After you have confirmed that all of the remaining parts and pieces are present, you are ready to begin by installing the **FIXED GLASS PANEL** first.

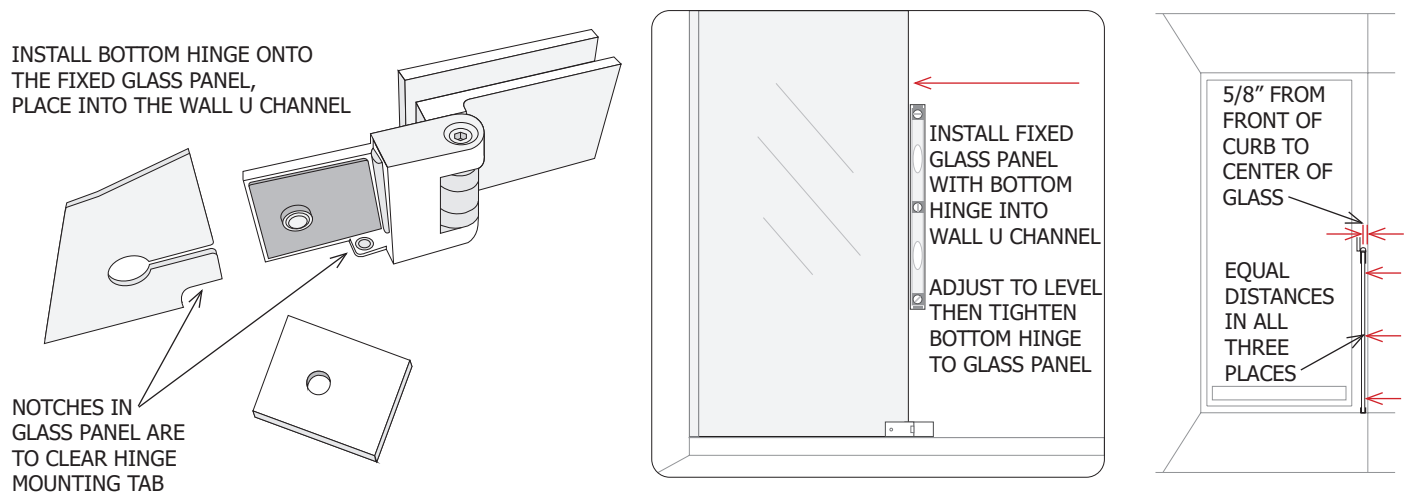
Start by Measuring and Marking $3/8''$ near the Wall Panel from the Front Edge of the Shower Pan Curb to the Front Edge of the **FIXED GLASS PANEL U CHANNEL**. Place **FIXED GLASS PANEL U CHANNEL** up to the Wall Panel, Level and Mark the Three Pre-Drilled Holes in the U Channel. **The Glass Seal inside the U Channel goes to the outside of the shower.** Remove the FGP U Channel.

Using a $3/16''$ Masonry Bit, drill holes in the Marble Wall Panel large enough that the Screws pass through the panel without interference. If the walls have no blocking, Hammer in $3/16''$ Wall Anchors and install the **VERTICAL U CHANNEL** (Mincey Marble recommends using blocking behind the walls).



Next, remove all of the plastic protective coating on the Bottom Hinge, install the Bottom Hinge onto the Fixed Glass Panel and Place it into the Wall U Channel. Door Hinge goes to the inside of the shower. Adjust so that the Fixed Glass Panel is Level.

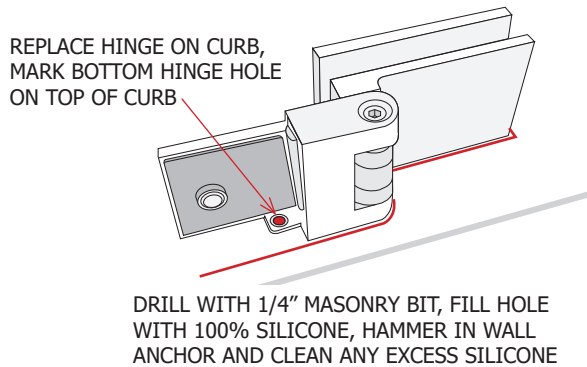
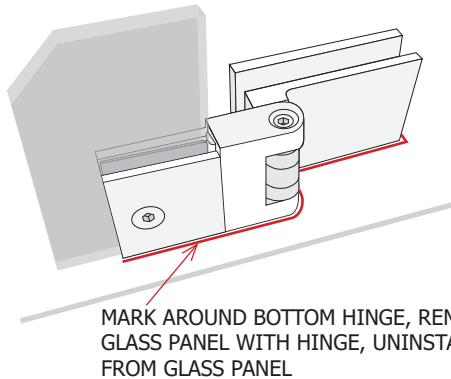
Then, Measure and Mark $5/8''$ from the front of the Shower Pan Curb to the Center of the Glass in the Bottom Hinge. Measure in three places to determine the Glass Panel is the same distance from the front of the curb.



If you have any questions, please call MINCEY MARBLE CUSTOMER SERVICE at 1-800-533-1806.

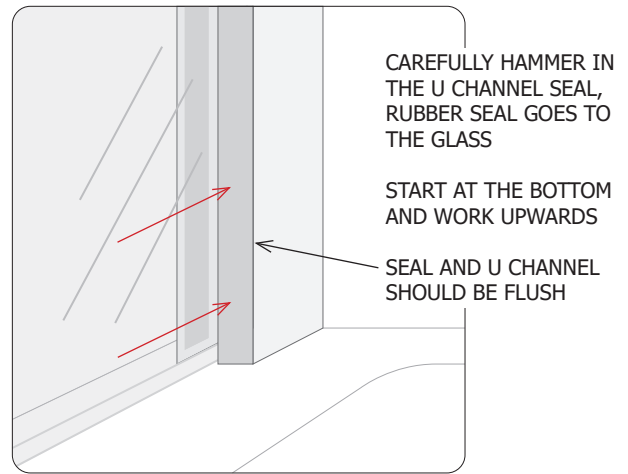
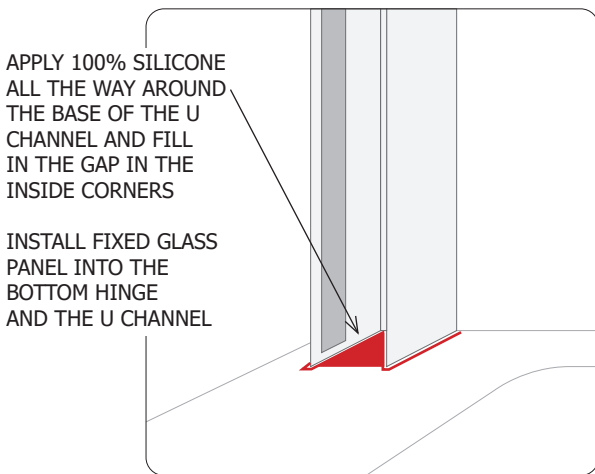
Once the Fixed Glass Panel is Level and lined up evenly on the curb, Mark an outline around the Bottom Hinge.

Remove the Fixed Glass Panel with the Bottom Hinge and Uninstall the Bottom Hinge from the Glass Panel. Place the Bottom Hinge on top of the Shower Pan Curb and Mark where the hole is to be drilled. Using the 1/4" Masonry Bit, Drill the hole, Fill the hole with 100% Silicone, Hammer in a Wall Anchor and Clean any excess Silicone.



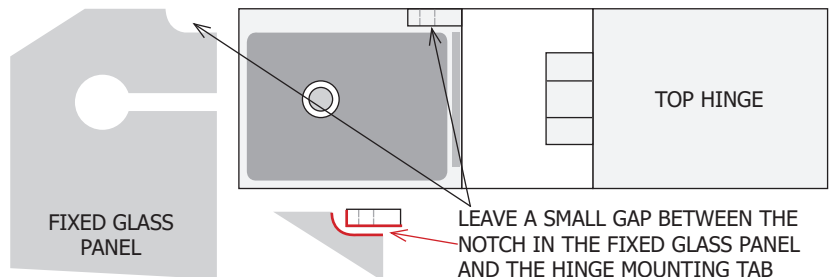
Next, Screw the Bottom Hinge onto the Shower Pan Curb. Then, Fill the bottom corner of the Fixed Glass Panel U Channel and around the base of the U Channel where it meets the Shower Pan with 100% Silicone. Next, Place the Fixed Glass Panel into the Bottom Hinge and the U Channel and Re-assemble the Bottom Hinge making sure the Fixed Glass Panel is Level. Clean any excess silicone.

You are now ready to install the Fixed Glass Panel U Channel Seal. Start by Hammering in the U Channel Seal at the bottom first, **the Rubber Seal goes to the Glass**, and work your upward to the top using the Rubber Mallet. The U Channel Seal and the U Channel edges should be flush when finished.



With the Fixed Glass Panel now installed, you will now install the TOP HINGE. Make sure to leave a small gap between the Notch in the Fixed Glass Panel and the Top Hinge.

Tighten Hinge into place. You are now ready to install the GLASS DOOR.

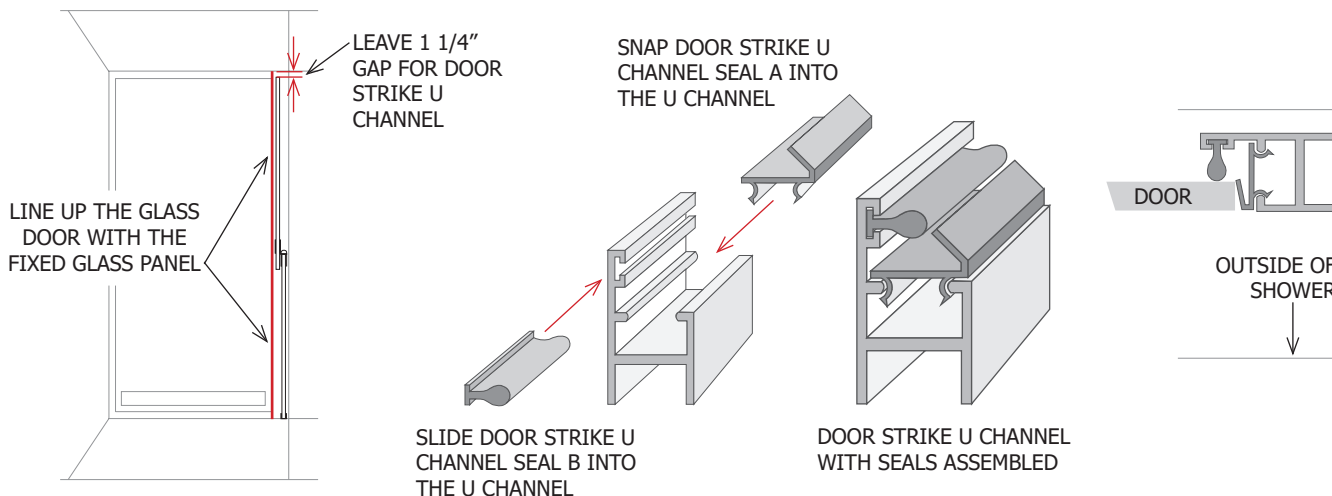


If you have any questions, please call MINCEY MARBLE CUSTOMER SERVICE at 1-800-533-1806.

The GLASS DOOR is to be installed next. It is recommended that two people are used when installing the door; one person inside the shower and one person outside the shower. This will enable the door to be handled with care, so as not to damage anything and to ensure accuracy and proper installation.

Position the Top and Bottom Hinges so the Glass Door can be inserted into the Hinges. Swing the Glass Door to the Closed position where it is in line with the Fixed Glass Panel. Leave approximately 1 1/4" from the Right Side Shower Wall Panel; this will allow for room for the Door Strike U Channel. The Glass Door should be Level since the Fixed Glass Panel and the Hinges are Level, yet Check Closing Edge for Level, and Tighten Hinges.

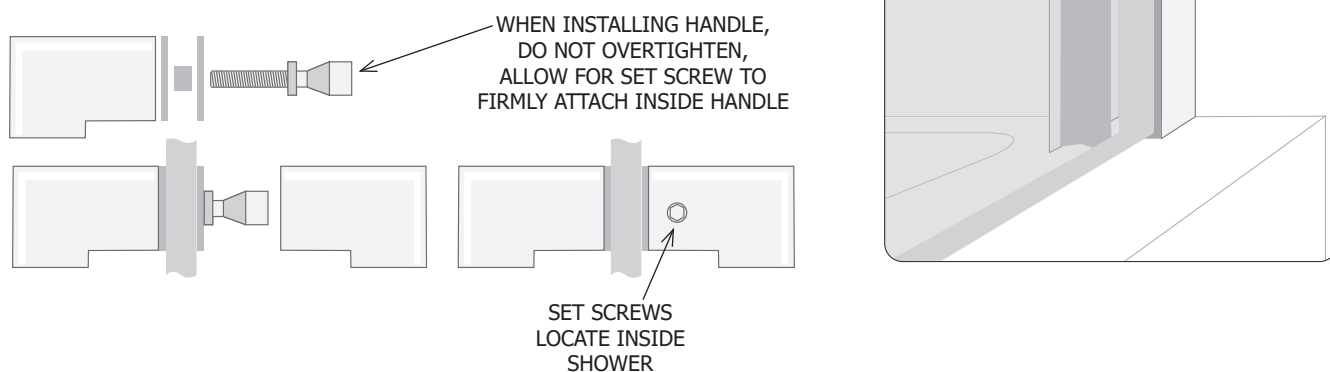
Next, assemble the Door Strike U Channel Seals onto the U Channel. The Door Strike U Channel A snaps into place. The Door Strike U Channel B slides into the track.



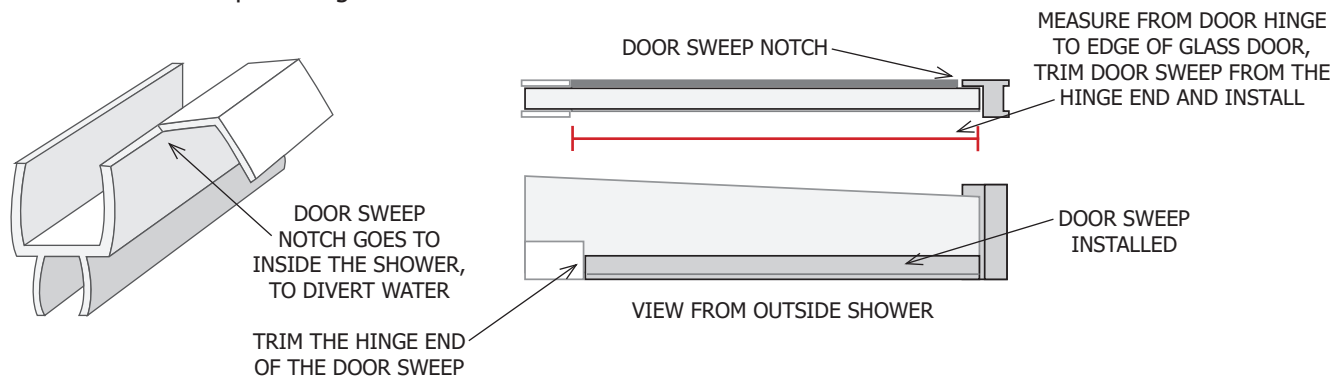
Next, hold the Door Strike U Channel up to the Wall Panel while the Glass Door is closed and even with the Fixed Glass Panel. Make sure the U Channel is Level. Mark an outline of the U Channel on the Wall Panel. Remove the U Channel and disassemble the Seals A and B. Hold the U Channel back up to the Wall Panel and Mark the holes to be drilled.

Using a 3/16" Masonry Bit, drill the holes in the Marble Wall Panel large enough that the Screws pass through the panel without interference. Clean any dust or debris. If the walls have no blocking, Hammer in 3/16" Wall Anchors and install the Door Strike U Channel (Mincey Marble recommends using blocking behind the walls).

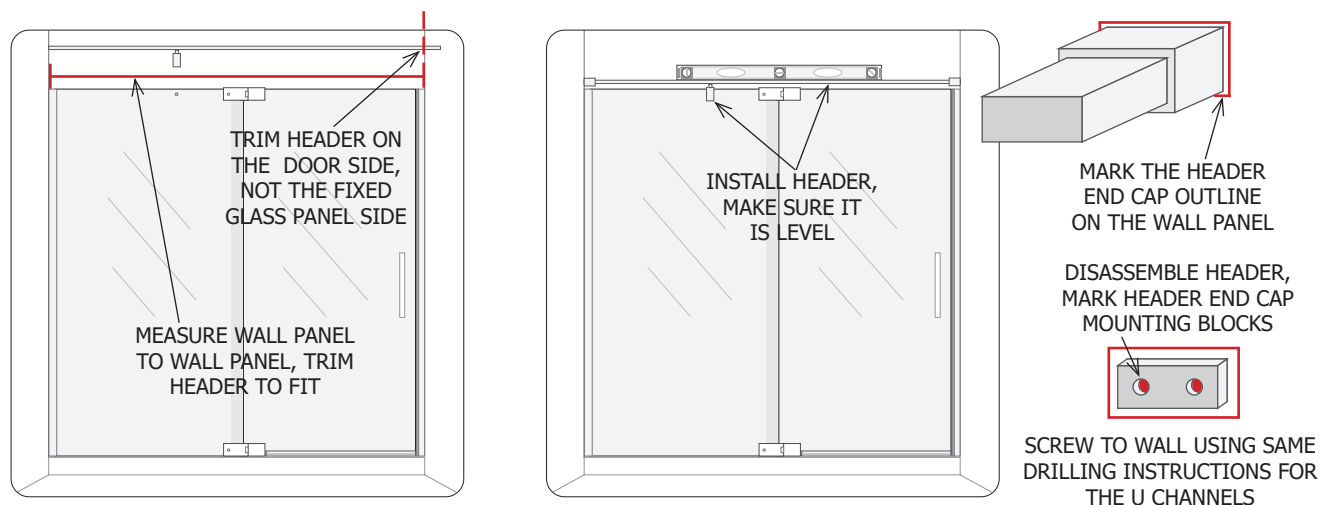
Once the Door Strike U Channel is installed, it can be adjusted horizontally to make sure the Glass Door closes tightly from top to bottom. When adjusted correctly, tighten the wall screws. You are now ready to install the Door Handles. Disassemble the handles, and reassemble on the Glass Door with the Set Screws on the Inside of the shower.



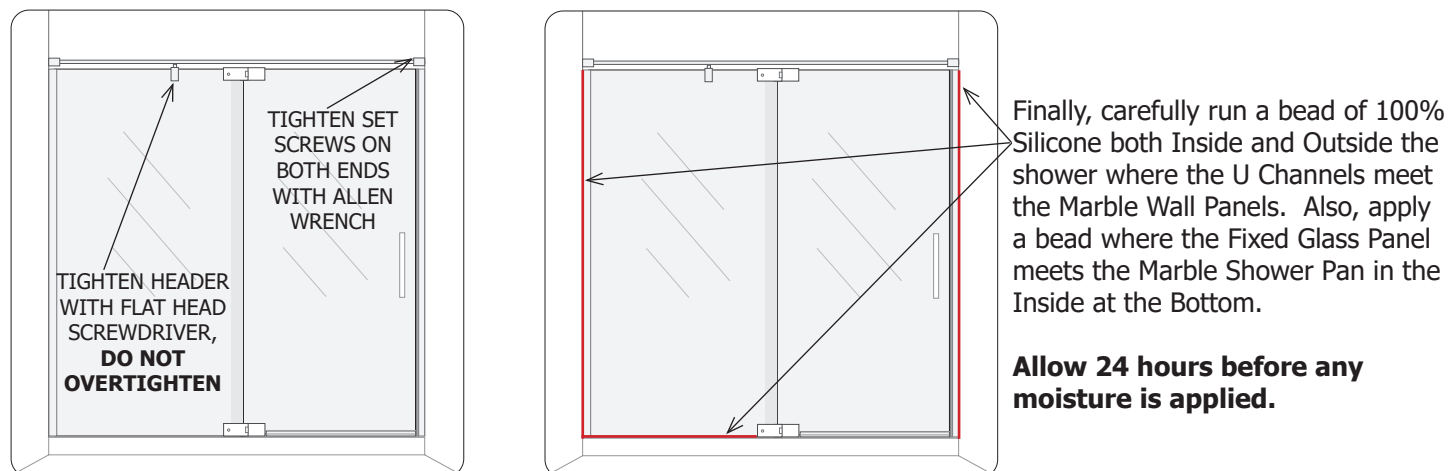
Next, you will Measure, Trim and Install the DOOR SWEEP. Measure from the Door Hinge to the Edge of the Glass Door. Trim the DOOR SWEEP on the Hinge End with the Hack Saw. Then, install on the bottom of the door. The Door Sweep Notch goes to the inside of the shower.



To install the HEADER, begin by measuring from Wall Panel to Wall Panel just above the Glass Panel and Glass Door. Disassemble the Header by removing the Header End Caps and Header End Cap Mounting Blocks. **Trim the Glass Door side of the Header to the width measured.** Slide the End Caps back onto the Header and Install the Header onto the Fixed Glass Panel. Slide the End Caps to the Wall Panels and Mark an outline around the End Caps on the Wall Panels.



After installing the Header End Cap Mounting Blocks, re-install the Header, Slide the End Caps into place and tighten using the Allen Wrench. Next, Tighten the Header to the Fixed Glass Panel using the Flat Head Screwdriver, **do not overtighten**. You are now ready to waterproof the shower.



THANK YOU FOR USING OUR MINCEY MARBLE PRODUCT! WE APPRECIATE YOUR BUSINESS!
If you have any questions, please call MINCEY MARBLE CUSTOMER SERVICE at 1-800-533-1806.