



**Mincey Marble Mfg., Inc.**

4321 Browns Bridge Road

Gainesville, GA 30504

Ph: 800.533.1806

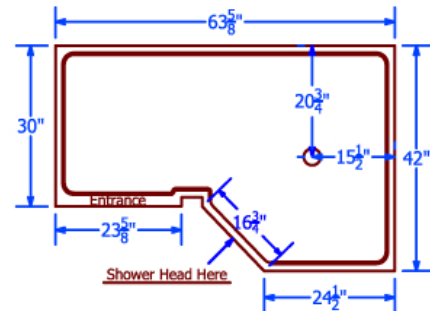
Fx: 770.531.0935

[www.minceymarble.com](http://www.minceymarble.com)

**Installation Instructions for Mincey Marble Manufacturing's**

**Door- less walk in shower pan  
with Traditional Surrounds**

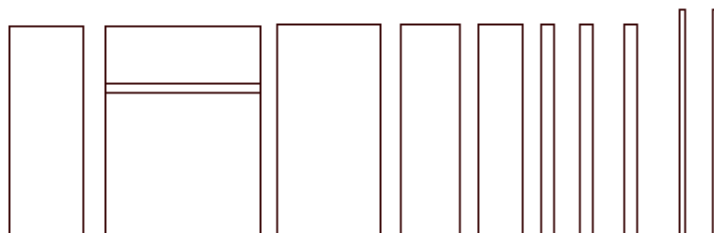
**Product number: TS-TR and SP-01**



**SP-01**

**Please read the following before attempting to install your cast stone shower pan and surrounds.**

*These instructions have been written for the SP-01 door-less walk in cast stone shower pan with TS-TR traditional cast stone surrounds. If you have a different pattern than the shower surround or pan shown below, please call us for instructions for the design you have purchased.*





## **Model # SP- 01 – OS/SF - 64 x 42”- shower pan**

- 1 30” x 96” side panel
- 2 64” x 96” back panel (2 pieces)
- 3 4” x 65” seam trim (may be provided by others)
- 4 42” x 96” side panel
- 5 25” x 96” side panel
- 6 18” x 96” side panel
- 7 5 ¼ “x 96” door jamb material (3)
8. 2” x 96” trim pieces (2)

### **Accessory items for shower:**

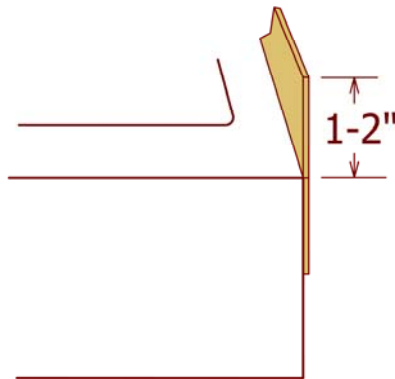
- 2 – SD-02 Mincey corner mount soap dishes
- 1 – AS-01 12” x 4” x ¾” accessory shelf with integral support

### **Shower Pan Installation instructions:**

**IMPORTANT: The framing for the back wall and the two sidewalls should be completed prior to installing the shower pan. The framing for the rest of the walls should be completed after the installation of the shower pan. This will make it easier to install because of the notch in the pan next to the angled return wall and the entrance to the shower enclosure.**

All shower pans rest on sub-floors, not finished floors. Mincey Marble’s shower pans have been checked and leveled before leaving the shop. They have been custom designed to drain properly if installed on a level surface.

**IMPORTANT:** Do not use the leak-proof fiberglass edges to lift the pan. This is not a handle. The edging is critical to ensure that the pan will not leak in case there is a drain problem and water overflows the pan. This will keep water from getting into the wall.



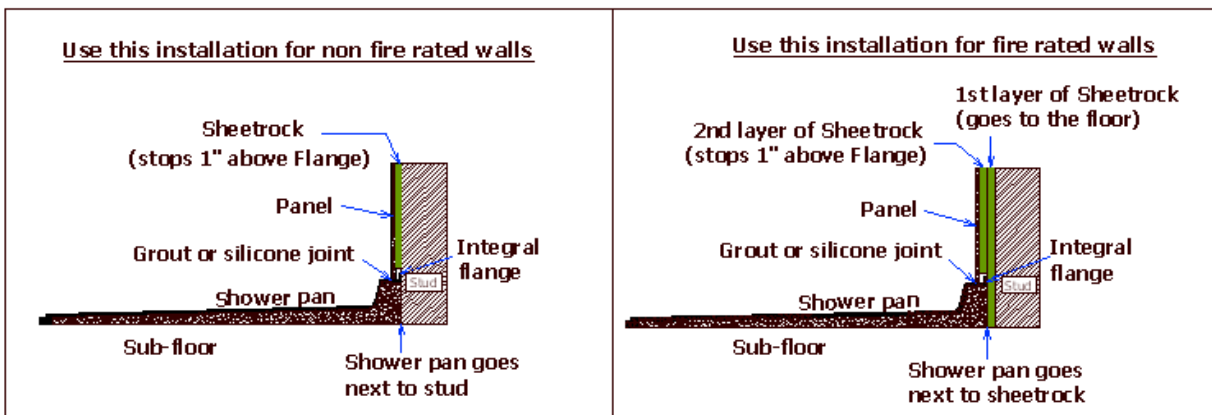
**INSTALLERS PLEASE NOTE- most floors are not level.** It is best to check the floor for level before installing the pan. If the floor is not level, float the floor with mortar or other suitable material before setting the pan. Allow this material to dry before setting the pan.

After setting the pan, you must check it in all four directions (front to back, side to side and diagonally each direction) and shim the necessary areas to level the pan. **Check the pan by setting the level on top of the curb, not into the base of the pan.** The floor where the pan is to be installed should be clean and free of dust and debris, which could cause the pan to rock.

The plumber should connect the drain to the pan and set the pan in place. Green board or Durock should not be installed until after the plumber has connected the plumbing to the pan. The green board or Durock should stop about one inch above the fiberglass leak-proof edge of the pan (See attached drawing A).

Drawing A:

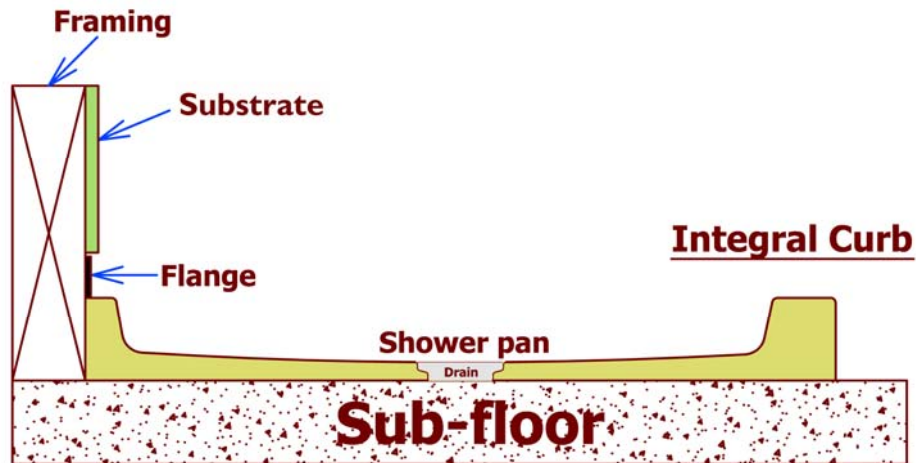
## Standard Pans



### **SPECIAL NOTES FOR THE DOOR-LESS WALK – IN PAN**

The pan is to be installed after the sidewalls and back wall are framed. Extra care should be exercised when installing the pan. Do not drop the pan into place as this can cause damage to the pan. Do not use the fiberglass edging as a handle, as it may break off during handling, if used as a handle. If the plumbing wall is a firewall, the drywall must extend to the floor. In that instance, a second piece of substrate will be required, after the pan is in place. The drain is to be connected by the plumber next. Then the studs can be placed around the angled and the walls around the entrance to the shower enclosure. **Do not install the studs around the rest of the pan until the drain has been connected. The plumber will not be able to safely raise the pan to connect the drain with these outer walls in place.**

The drywall is installed next. A special leak proof edge is designed into the pan to receive the drywall. The drywall should stop 1" above the top of the leak proof edge. The leak proof edge should be recessed behind the substrate. After the drywall has been installed, the marble panels can be installed.



### **Cast stone panel installation instructions:**

***Please consult the drawing labeled "Walk – In Pan and Traditional Surrounds" for clarification. If you are unsure about the placement of any of the panels, please call us at (800) 533-1806 and we will be happy to assist you.***

1. The 2-piece back wall is installed first. The 60" x 64" panel should be trimmed to fit and installed first. The 28" x 64" panel should be trimmed to fit and will be installed on top of the 60" x 64" panel. Large pads of adhesive works best for ensuring proper adhesion.
2. The 30" x 96" panel should be installed next. Using the 4' level, make a plumb line mark flush with the outside edge of the curb of the pan. Extend this line to the desired height of the surrounds. This panel should stop at the outside edge of the pan at the entrance to the enclosure.
3. The 42 x 96" panel should be trimmed to fit and installed next.
4. The 4" x 64" accent band should be trimmed to fit and installed to cover the seam on the back panel. Hold the accent band at the desired height, covering the seam. Use the 4' level to level this piece and make a couple of reference marks on your wall. Using hot melt glue and silicone, glue the accent band in place. Be careful not to mix the silicone and hot melt glue, as they will each inhibit the drying of the other material.
5. The next panel to be installed should be the 25" x 96" panel. Trim this panel to fit and install.

6. The 18 x 96" panel, usually having the plumbing, will be installed next. It is recommended to miter cut the side of the panel, which butts to the 25" wall. Trim the panel to fit before measuring the plumbing holes. Mark the plumbing holes and use a hole saw or jig saw to cut these holes.
7. Use one of the 5 ¼" x 96" doorjamb pieces for the next portion of the surrounds. This piece will butt to the plumbing wall (the 18 x 88 panel). It is also recommended to miter cut the side, which will butt to the 18" wall.
8. Use another of the 5 ¼" doorjamb pieces to butt to the previously installed doorjamb piece.
9. Use another of the 5 ¼" doorjamb pieces to complete the inside of the shower enclosure. This piece should stop flush with the outside edge of the pan curb, as with the 31" panel.
10. The 2" x 96" x ½" trim should be installed next to complete the installation of this material. These trim strips should be butted to the outside edges of the panels which end at the outside edge of the curb of the pan, extending to the floor or to the top of the tile base, if the tile has already been installed.
11. If using corner wall mount soap dishes, please see separate instructions for these.
12. If using the wall mount shelf, it is usually installed on the plumbing wall, below the showerhead, and above the faucet valves. Use a torpedo level to level this shelf in the area you wish to install the shelf. Mark reference lines on the wall. Using hot melt glue and silicone, attach the shelf to the wall.
13. After the installation is complete, use acetone to clean the pencil marks off the shower panels, before applying silicone. Use 100% silicone that closely matches the color of your surrounds to caulk the shower. Silicone should be used wherever marble touches marble. You can use latex caulk to caulk the top of the panels, where the substrate will be painted, and outside edges of the trim, on substrate or wallpaper.

**PLEASE NOTE: Each piece of marble will need to be trimmed to fit its space.**

**If you have any questions, please call Mincey Marble Customer Service at 800.533.1806.**