



Mincey Marble Mfg., Inc.

4321 Browns Bridge Road

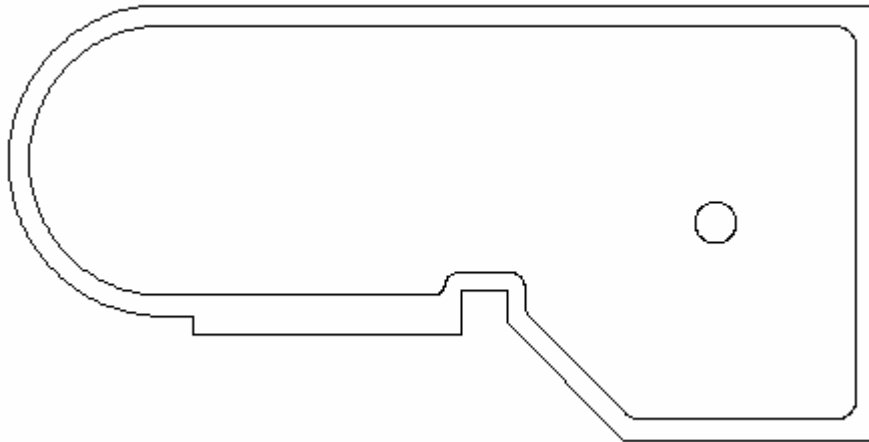
Gainesville, GA 30504

Ph: 800.533.1806

Fx: 770.531.0935

www.minceymarble.com

**Installation Instructions for Mincey Marble Manufacturing's
Standard Cultured Marble Shower Pans**



Part number: SP-02 Sleep Inn Pan

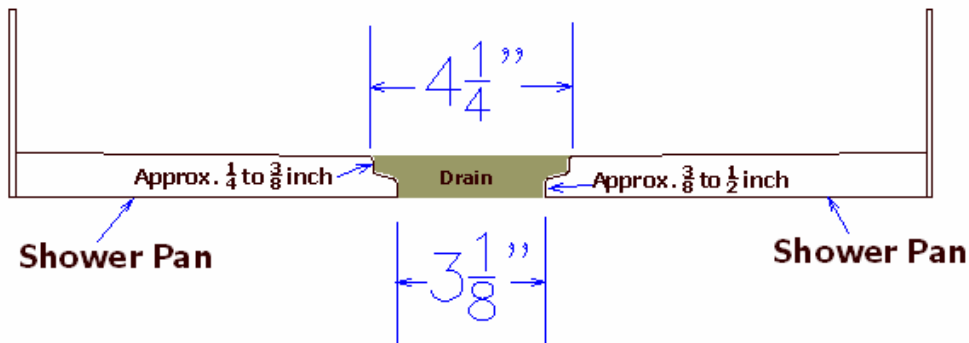
All shower pans rest on sub-floors not finished floors. Mincey Marble's shower pans have been checked and leveled before leaving the shop. They have been custom designed to drain properly if installed on a level surface.

IMPORTANT: Do not use the integral flange or leak-proof fiberglass edges (whichever is applicable) to lift the pan. This is not a handle. The edging is critical to ensure that the pan will not leak in case there is a drain problem and water overflows the pan. This will keep water from getting into the wall.

INSTALLERS - Please Note- most floors are not level. It is best to check the floor for level before installing the pan. If the floor is not level, float the floor with mortar or other suitable material before setting the pan. Allow this material to dry before setting the pan. After setting the pan, you must check it in all four directions (front to back, side to side and diagonally each direction) and shim the necessary areas to level the pan. **Check the pan by setting the level on top of the curb, not into the base of the pan.** The floor where the pan is to be installed should be clean and free of dust and debris, which could cause the pan to rock.

The plumber should connect the drain to the pan and set the pan in place.

Shower Pan Drain Dimensions



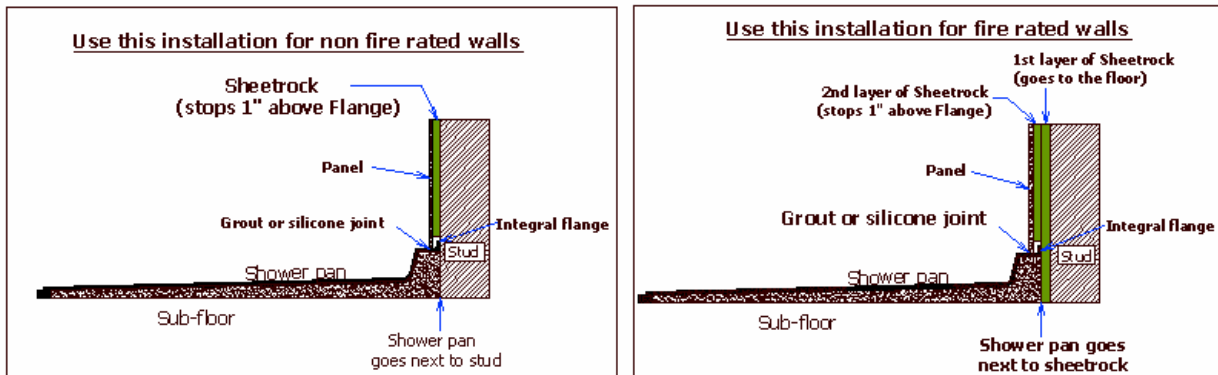
SPECIAL NOTES FOR SLEEP INN PANS:

The pan is to be installed after the side wall and back wall are framed. Extra care should be exercised when installing the pan. Do not drop the pan into place as this can cause damage to the pan. Do not use the fiberglass edging as a handle, as it may break off during handling. If the plumbing wall is a firewall, the drywall must extend to the floor. In that instance, a second piece of sheetrock will be required, after the pan is in place. The drain is to be connected by the plumber next. Then the studs can be placed around the angled and curved walls. **DO NOT install the studs around the rest of the pan until the drain has been connected. The plumber will not be able to safely raise the pan to connect the drain with these outer walls in place.**

The drywall is installed next. A special leak proof edge is designed into the pan to receive the drywall. The drywall should stop 1" above the top of the leak proof edge. The leak proof edge should be recessed behind the sheetrock. After the drywall has been installed, the marble panels can be installed.

Drawing A:

Standard Pans



Please call Mincey Marble at 800.533.1806 if you have any questions.