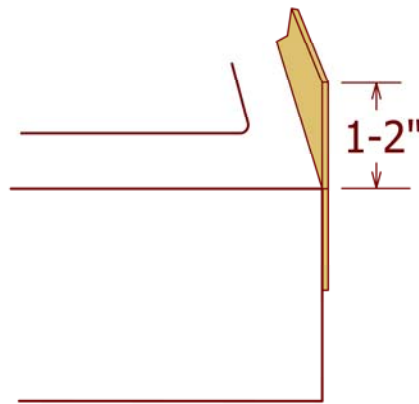




All shower pans rest on sub-floors, not finished floors. Mincey Marble's shower pans have been checked and leveled before leaving the shop. They have been custom designed to drain properly if installed on a level surface.

**IMPORTANT:** The framing for the back wall and the two sidewalls should be completed prior to installing the shower pan. The framing for the rest of the walls should be completed after the installation of the shower pan. This will make it easier to install because of the notch in the pan next to the angled return wall and the entrance to the shower enclosure.

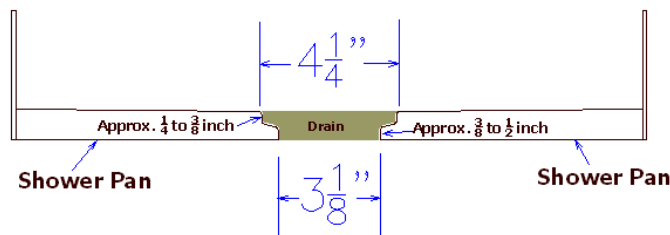
**IMPORTANT:** Do not use the leak-proof fiberglass edges to lift the pan. This is not a handle. The edging is critical to ensure that the pan will not leak in case there is a drain problem and water overflows the pan. This will keep water from getting into the wall.



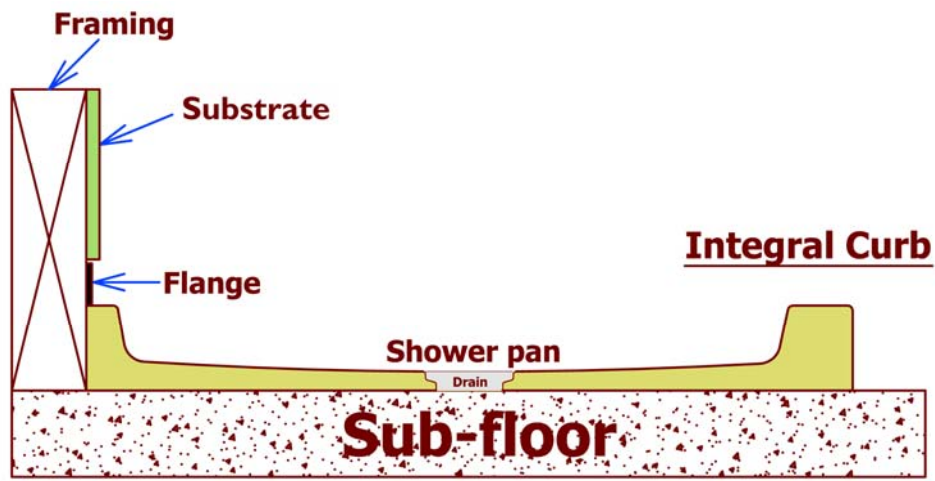
**INSTALLERS - PLEASE NOTE- most floors are not level.** It is best to check the floor for level before installing the pan. If the floor is not level, float the floor with mortar or other suitable material before setting the pan. Allow this material to dry before setting the pan. After setting the pan, you must check it in all four directions (front to back, side to side and diagonally each direction) and shim the necessary areas to level the pan. **Check the pan by setting the level on top of the curb, not into the base of the pan.** The floor where the pan is to be installed should be clean and free of dust and debris, which could cause the pan to rock.

The plumber should connect the drain to the pan and set the pan in place.

### Shower Pan Drain Dimensions



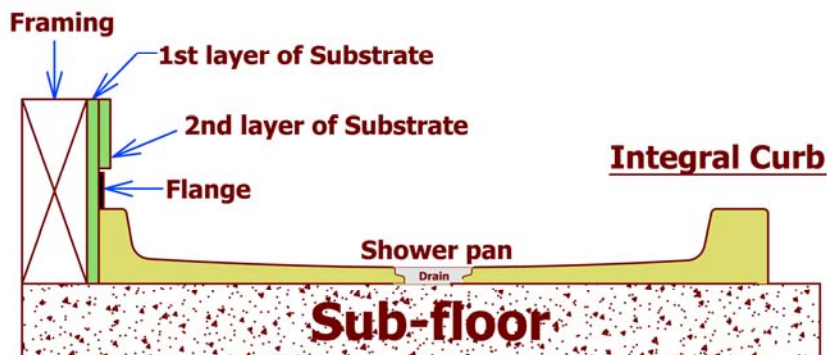
Substrate (Green board or Durock) should not be installed until after the plumber has connected the plumbing to the pan. The substrate green board or Durock should stop about one inch above the fiberglass leak-proof edge of the pan



### SPECIAL NOTES FOR HANDLING DOOR-LESS WALK IN PANS

The pan is to be installed after the sidewalls and back wall are framed. Extra care should be exercised when installing the pan. Do not drop the pan into place as this can cause damage to the pan. Do not use the fiberglass edging as a handle, as it may break off during handling, if used as a handle. If the plumbing wall is a firewall, the drywall must extend to the floor. In that instance, a second piece of sheetrock will be required, after the pan is in place. The drain is to be connected by the plumber next. Then the studs can be placed around the angled and the walls around the entrance to the shower enclosure. **Do not install the studs around the rest of the pan until the drain has been connected. The plumber will not be able to safely raise the pan to connect the drain with these outer walls in place.**

### Standard installation for Standard Pan (with fire rated wall)



If you have any questions, please call Mincey Marble Customer Service at 800.533.1806.