



Mincey Marble Mfg., Inc.

4321 Browns Bridge Road

Gainesville, GA 30504

Ph: 800.533.1806

Fx: 770.531.0935

www.minceymarble.com

Installation Instructions for Mincey Marble Manufacturing's

**Corner Mount Foot Rest
For Hotel Sierra**

Product number: FR-02



FR-02

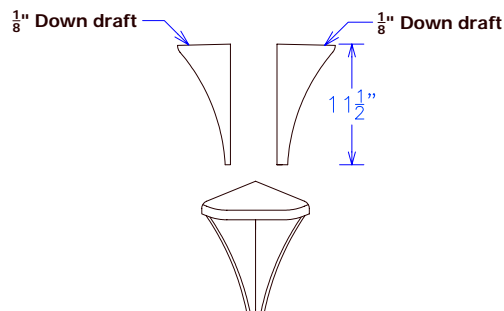
Please read the following before attempting to install the corner mount foot rest.

These instructions have been written for the Mincey Marble corner mount foot rest. If you have a different product than shown, please call us for instructions for the product you have purchased.

Top View



1/2" Thick Supports



Tools and Materials needed:

1. Torpedo level
2. Pencil
3. Drill with ¼" masonry drill bit
4. 2 (two) stainless steel ¼" x 2" carriage bolts (included with the foot rest)
5. Silicone (100%) and caulk gun
6. Hot melt glue and hot melt glue gun
7. Clean, dry rags
8. Acetone*

Two types of adhesive are needed to install the foot rest because they serve different purposes. The hot melt glue bonds immediately, but will not hold the foot rest for more than a few days. The silicone takes a few hours to cure, but after curing, it will secure the foot rest indefinitely.

**** Please use acetone only. Denatured alcohol or other water-based cleaners are not acceptable. If you do not have acetone, wiping with a clean, dry rag is an acceptable alternative.***

NOTE: The foot rest should be located in the corner of the shower, opposite from the showerhead and will be installed 16" from the floor with the flat surface facing up. The integral mounting bracket will be on the underside of the foot rest when installed. The stainless steel carriage bolts are an integral part of the installation of this product. Do not skip using these bolts.

To install the foot rest:

1. Clean the back of the foot rest and the wall with acetone before proceeding
2. Measure from the floor 16" up on the shower panels; make a mark at this height. This will be the height to the top of the shampoo shelf.
3. Using the torpedo level, lightly make a level line to the corner, going onto the adjacent wall with the mark.
4. Hold the foot rest, which is pre-drilled, keeping the top of the foot rest even with the reference lines. Make a pencil mark in the center of the holes onto the walls of the shower enclosure. This is where you will need to drill the holes for the carriage bolt.
5. Drill the holes using the ¼" masonry bit into the wall, through the sheet rock, and if necessary into any studs that may be behind the panel/sheet rock. Do not exert too much pressure on the drill while drilling the holes, to avoid damaging or cracking the shower panels.

6. Apply silicone to the back of the integral mounting bracket of the foot rest. It is helpful to use a small amount of hot melt glue on each side also, to help keep the support in place during installation. The silicone and bolts will hold the support in place when the silicone dries.
7. Quickly, before the hot melt glue cools, apply the foot rest to the wall, using the bolts to align the holes drilled into the walls.
8. Apply silicone to the bolts and push them into the holes.
9. Use 100% silicone, color matched for the marble, to seal around the foot rest once installation is complete.
10. Clean with clean, dry rags.

If you have any questions, please call Customer Service at 800.533.1806.