



Mincey Marble Mfg., Inc.

4321 Browns Bridge Road

Gainesville, GA 30504

Ph: 800.533.1806

Fx: 770.531.0935

www.minceymarble.com

Installation Instructions for Mincey Marble Manufacturing's

**Chrome Plate Wire Corner Mount
Soapdish**

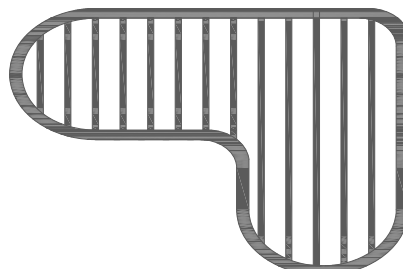
Product number: SD- 08



SD-08

**Please read the following before attempting to install your new
chrome plated wire corner mount soapdishes.**

*These instructions have been written for Mincey Marble's SD-08 chrome plated wire
corner mount soapdishes. If you have a different product than shown, please call us for
instructions for the product you have purchased.*

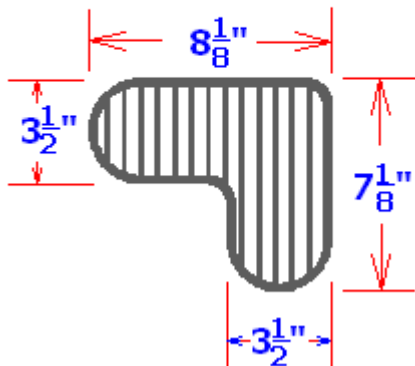


In preparation, before installing these soap dishes, you will need to have completed the installation of the surrounds and sealed the seams of the shower surrounds behind where the soap dish is to be installed with 100% silicone.

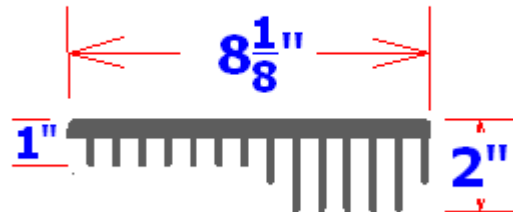
Tools and Materials required:

1. Torpedo level
2. Drill with $\frac{1}{4}$ " masonry drill bit
3. 3 plastic wall anchors, stainless screws and mounting brackets (included in each box, with wire soap dish)
4. 3 ea. clear plastic washers and chrome plated plastic screw caps (packaged separately and included in your shipment)
5. #2 Phillips head screwdriver
6. Pencil

Top View



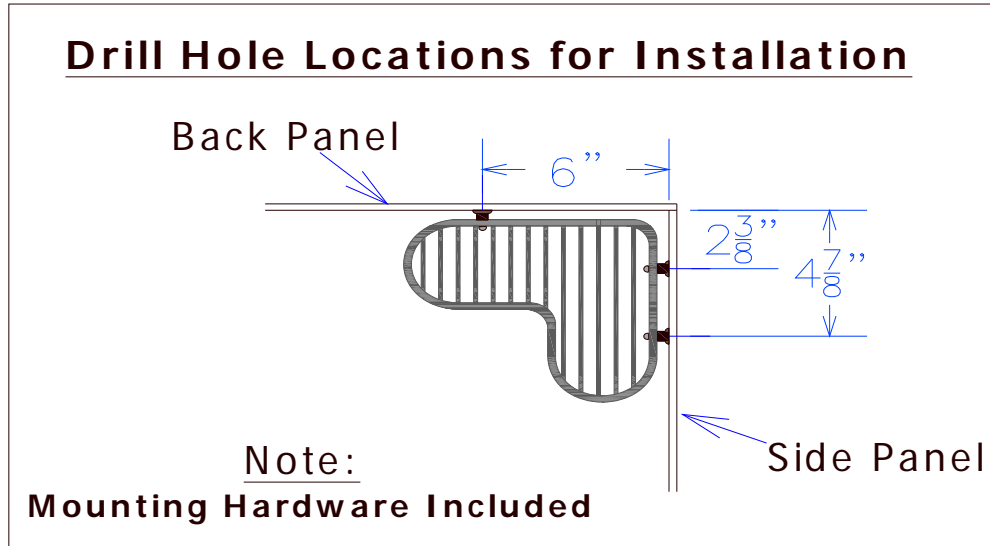
Front View



Installing the wire corner soap dish:

1. Determine the height of the soap dish before going any further. It would be best to check blue prints and with the project manager before drilling any holes. Failure to do this could cause unnecessary repair work, which can be time consuming and costly. Also, make sure the soap dish is being installed in the correct corner.
2. Once the height of the soap dishes is determined, make a pencil mark on the wall where the top of the soap dish will be installed. Using the torpedo level, continue this line on the adjacent wall in the corner where the soap dish is to be installed.

- 3 The soap dish has three mounting brackets. One is located on the longer side of the soap dish, and the other two are located on the shorter side of the soap dish. ***If the soap dish is to be installed in the right corner, facing the shower, the long side of the soap dish will be on the back wall and the short side will be on the right shower panel. If the soap dish is to be installed on the left corner, facing the shower, the long side of the soap dish will be on the left wall and the short side will be on the back wall. (See diagram of soap dish)***



4. For the longer side of the soap dish, measure back from the corner 6", along the level line marked on the wall. For the short side of the soap dish, measure two holes, one 3 3/8" and the other 4 7/8" from the corner. Drill these holes with a 1/4" masonry bit.
5. Lightly tap the wall anchors into the 1/4" diameter holes. Do not hit hard or damage could occur to the surrounds.
6. Clean the pencil marks off the walls with acetone or other cleaner and a clean rag.
7. The mounting brackets have a wider end. This goes against the wall. It is easier to push the screws through the clear plastic washer, open side facing the screw head and then through the pre-drilled holes in the soap dish and place the mounting brackets on the screws.
8. Carefully align the screws and the clear plastic washers with the wall anchors and start the screws by hand. Hand tighten the screws into the wall anchors, using the #2 Phillips head screwdriver. **Do not over-tighten. (Over –tightening the screw can distort the clear plastic washer, causing the cap to not fit properly).** For proper tightness, the soap dish should be secure against the mounting brackets so that the soap dish is not loose and "flopping" on the wall.
9. Press the chrome plated screw cap onto the washer until it snaps into place.

Failure to carefully follow these instructions could cause the holes to be drilled in the wrong locations.

If you have any questions, please call Mincey Marble Customer Service at 800.533.1806.