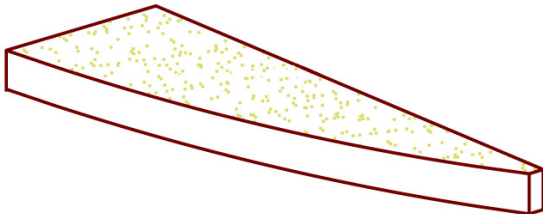


## **Installation Instructions for Mincey Marble Manufacturing's 15" Wall Mount Foot Rest**

**Product number: FR-05**

***DISCLAIMER NOTICE: If the prescribed method of installation is not followed precisely, the foot rest may detach from the wall and cause damage to the panels and the walls. If the foot rest detaches, physical injury to the occupant of the shower may occur. Mincey Marble will not be liable for any damages to persons or property because of incorrect installation.***

***These instructions have been written for Mincey Marble's FR-05 cast marble wall mount foot rest. If you have a different product than shown, please call us for instructions for the product you have received.***



**FR-05**

### **Section I**

Section I provides necessary details for installing the FR-03 foot rest into an area that includes wood blocking.

***In preparation, before installing this foot rest, you will need to have completed the installation of the panel systems and sealed the seams of the shower panels behind where the foot rest is to be installed with 100% silicone.***

## Tools /Materials Required:

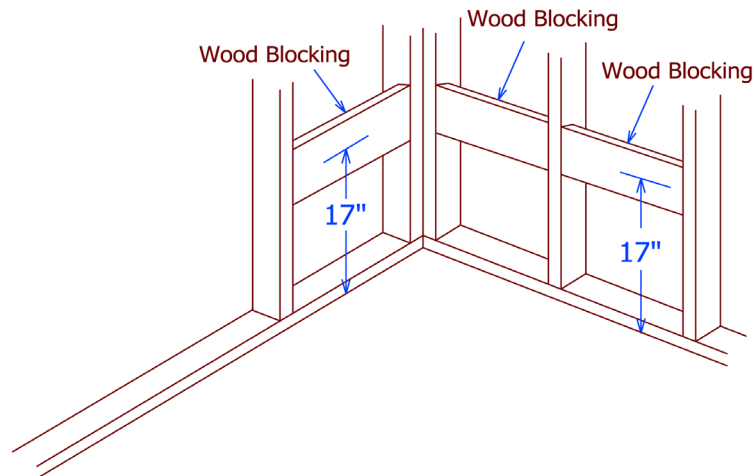
1. Drill, preferably corded, for drilling holes
2. 3/16" masonry drill bit
3. Measuring tape
4. Pencil
5. 100% silicone for marble to marble seams (color matched for the marble)
6. Clean, dry cloths to clean both the foot rest and wall
7. White silicone to be used for adhering the foot rest to the wall
8. # 2 Phillips Head Screwdriver to tighten screws when attaching foot rest (**A right-angle or ratcheting right-angle screwdriver will make the installation easier**)
9. Three #10 x 3" Stainless Steel Truss Head Sheet Metal Screws (provided by Mincey Marble) to attach foot rest to required wood blocking (supplied by others). These screws will be packaged with the foot rest.

**PLEASE NOTE:** *There should be a minimum 2 x 6 pressure treated wood blocking in the wall behind the substrate material in the tub/shower enclosure, prior to the cast marble panels being installed. This blocking should be installed so that the center of the blocking will be 17" above finished floor. The blocking should be installed securely behind the substrate on both the back wall and the end wall which is opposite from the shower head, as the foot rest will be installed in this corner of the "dry wall". Please see drawing (A). The wood blocking should not have any free movement and be structurally secure behind the substrate and secured to the structural framework of the wall.*

### Drawing A: **Example of blocking for a foot rest on the right side of shower**

Minimum of 2x6 Treated wood for blocking is required

Blocking should be 17" AFF to Center



**DISCLAIMER NOTICE:** *If the prescribed method of installation is not followed precisely, the foot rest may detach from the wall and cause damage to the panels and the walls. If the foot rest detaches, physical injury to the occupant of the shower may occur. Mincey Marble will not be liable for any damages to persons or property because of incorrect installation.*

The foot rest will come with pre-cut slots in the integral support, which will slide over the truss screws in the walls. It is very important to pre-drill the holes for the truss screws into the cast marble panels before driving the truss screws into the wood blocking, in order to avoid damaging the cast marble panels. The integral support of the foot rest has a short side and a long side. The short side of the foot rest will be installed onto the back wall and the long side will be on the end wall of the enclosure.

### **Installing the foot rest with wood blocking:**

1. Measure the locations of the slots on the back of the foot rest and transfer these dimensions to the cast marble panels in the corner of the shower enclosure where the foot rest is to be installed.
2. Using a corded drill and a 3/16" masonry drill bit, pre-drill the cast marble panels, being careful to avoid drilling into the wood blocking.
3. Drive the # 10 Stainless Steel Truss Head Screws (See illustration 1) into the wood blocking, being sure to keep the screws level with each other and perpendicular to the cast marble shower panels. Leave about 1" of space between the inside of the truss head and the cast marble panels. **Please note:** The screws will be tightened after the foot rest has been put onto the wall)

### **ILLUSTRATION 1:**

3" Stainless Steel screws provided for blocking in the wall.

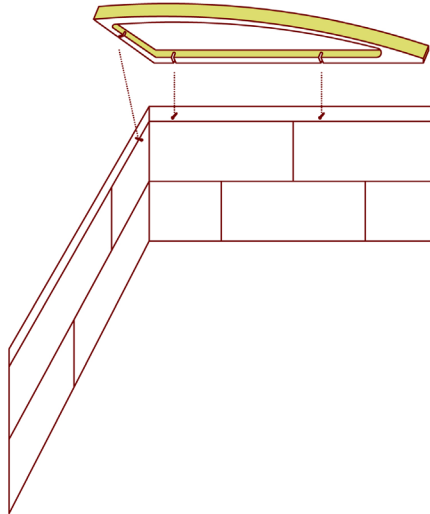


4. Apply 100% silicone to the entire back of the foot rest, using a minimum 1/4" bead of silicone. **This step cannot be skipped or avoided, as the silicone adhesive is a necessary product in the installation of the foot rest as the truss head screws are not designed to be a stand-alone installation product.**
5. Slide the foot rest over the Truss Head Screws and press firmly into place. (See drawing A). Be sure to clean up any silicone that is smeared onto the wall during this process, as soon as you have secured the foot rest in place. A clean dry rag should be all that is needed, but acetone or mineral spirits can be used on a rag to clean up excess silicone.

**Drawing A:**

**Underside of Corner Mount Foot Rest**

Foot rest has 3 slots fabricated into it for mounting



6. Using a # 2 Phillips head screwdriver, tighten the truss head screws as tightly as possible. You will hear creaking noises when the screw is tight against the support of the foot rest. **A right-angle screwdriver will make it easier to turn the screws. A ratcheting right-angle screw driver is optimal for this installation.**
7. Once the truss head screws have been tightened, try to move the foot rest by applying pressure with your hands to the foot rest. If there is any movement, re-tighten the screws until movement stops.
8. Apply color matching silicone around the perimeter of the foot rest to seal the foot rest to the cast marble panels. This seal should go around the entire perimeter of the foot rest, even under the bottom of the foot rest.

***DISCLAIMER NOTICE: If the prescribed method of installation is not followed precisely, the foot rest may detach from the wall and cause damage to the panels and the walls. If the foot rest detaches, physical injury to the occupant of the shower may occur. Mincey Marble will not be liable for any damages to persons or property because of incorrect installation.***

For complete information on installing the foot rest into an area which **DOES NOT** have wood blocking, please see Section II.

If you have any questions, please call Mincey Marble Customer Service at 770.532.0451

## Section II

Section II provides all of the necessary information for installing the FR-05 foot rest into an area that does not provide wood blocking.

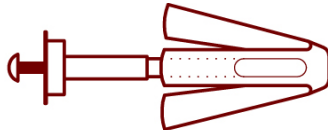
***DISCLAIMER NOTICE: If the prescribed method of installation is not followed precisely, the foot rest may detach from the wall and cause damage to the panels and the walls. If the foot rest detaches, physical injury to the occupant of the shower may occur. Mincey Marble will not be liable for any damages to persons or property because of incorrect installation.***

***In preparation, before installing this foot rest, you will need to have completed the installation of the panel system and sealed the seams of the shower panels behind where the foot rest is to be installed with 100% silicone.***

### Installing the foot rest without wood blocking:

If the wood blocking ***has not been installed***, **WingIt model # MAW35-SD** fasteners should be ordered to install the foot rest. (See drawing A). They can be purchased direct from Mincey Marble.

#### Drawing A:



### **WingIt #MAW35-SD**

#### Tools /Materials Required:

1. Drill, preferably corded, for drilling holes
2. 3/16" masonry drill bit
3. Measuring tape
4. Pencil
5. 100% silicone for marble to marble seams (color matched for the marble)
6. Clean, dry cloths to clean both the foot rest and wall
7. White silicone to be used for adhering the foot rest to the wall
8. # 2 Phillips Head Screwdriver to tighten screws when attaching foot rest (**A right-angle or ratcheting right-angle screwdriver will make the installation easier**)
9. Either a WingIt Apache 200 Drill Bit, Part # WA200Gt34 (which may be purchased from Mincey Marble), or a 3/4" hole saw, for drilling holes for MAW35-SD Master WingIt.

### Installing the Foot Rest without wood blocking:

1. Measure the locations of the slots on the back of the foot rest and transfer these dimensions to the cast marble panels in the corner of the shower enclosure where the foot rest is to be installed.

2. Use "stud finders" to locate studs. You must avoid studs in order for the WingIt to work. When you are not positive of where the stud is, drill a pilot hole then insert an 'L' shaped wire. Twirl the wire and make sure you don't hit an obstruction. If you do hit the wall stud, then just move over up to 1" and install the WingIt. The WingIt will actually seal the initial pilot hole! If it becomes necessary to drill the holes in a different location, the slots on the foot rest will need to be cut to align with the new drill holes for the WingIts.
3. A 3/4" hole must be drilled into the surround panel and through the substrate in order to use the MAW35-SD Master WingIt. These holes need to be drilled precisely in order to maintain alignment of the top of the foot rest with the 1 1/2" solid band.
4. Install the WingIt Model # MAW 35-SD as per instructions which accompany the WingIts package, being sure to leave approximately 1" of the Truss Head on the screw sticking out. (See illustration 1). **Please Note:** The screws will be tightened after the foot rest has been put onto the wall.

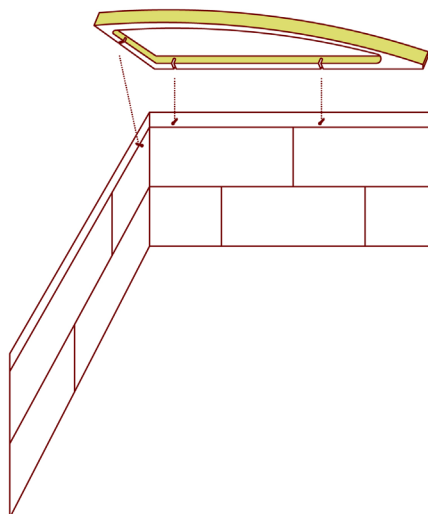
**ILLUSTRATION 1:** MAW WingIts provided if no blocking is in the wall.



5. Apply 100% silicone to the entire back of the foot rest, using a minimum 1/4" bead of silicone. **This step cannot be skipped or avoided, as the silicone adhesive is a necessary product in the installation of the foot rest as the truss head screws are not designed to be a stand-alone installation product.**
6. Slide the foot rest over the Truss Head Screws and press firmly into place. (See drawing B). Be sure to clean up any silicone that is smeared onto the wall during this process, as soon as you have secured the foot rest in place. A clean dry rag should be all that is needed, but acetone or mineral spirits can be used on a rag to clean up excess silicone.

**Drawing B:** Underside of Corner Mount Foot Rest

Foot rest has 3 slots fabricated into it for mounting



9. Once the truss head screws have been tightened, try to move the foot rest by applying pressure with your hands to the foot rest. If there is any movement, re-tighten the screws until movement stops.
10. Apply color matching silicone around the perimeter of the foot rest to seal the foot rest to the cast marble panels. This seal should go around the entire perimeter of the foot rest, even under the bottom of the foot rest.

In both cases of installation, the foot rest should be allowed to remain in place a minimum of 48 hours to allow the adhesive and silicone to cure before weight is applied to the foot rest. No weight should be applied to the foot rest during this 48 hour period. If the foot rest is used before the allotted 48 hours, **all warranties will be void.**

***DISCLAIMER NOTICE: If the prescribed method of installation is not followed precisely, the foot rest may detach from the wall and cause damage to the panels and the walls. If the foot rest detaches, physical injury to the occupant of the shower may occur. Mincey Marble will not be liable for any damages to persons or property because of incorrect installation.***

**If you have any questions, please call Mincey Marble Customer Service at 770.532.0451**