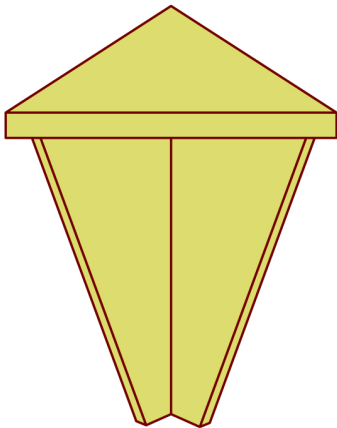


Installation Instructions for Mincey Marble Manufacturing's Corner Mount Foot Rest

Product number: FR-04

Please read the following before attempting to install your new cast marble corner mount foot rest

These instructions have been written for Mincey Marble's FR-04 corner mount cast marble foot rest. If you have a different product than shown, please call us for instructions for the product you have purchased.



FR-04

In preparation, before installing this foot rest, you will need to have completed the installation of the panel system and sealed the seams of the shower panel behind where the foot rest is to be installed with 100% silicone.

Tools and Materials required:

1. Torpedo level
2. Pencil
3. Silicone (100%) and caulk gun
4. Hot melt glue and hot melt glue gun
5. Clean, dry rags
6. Acetone*

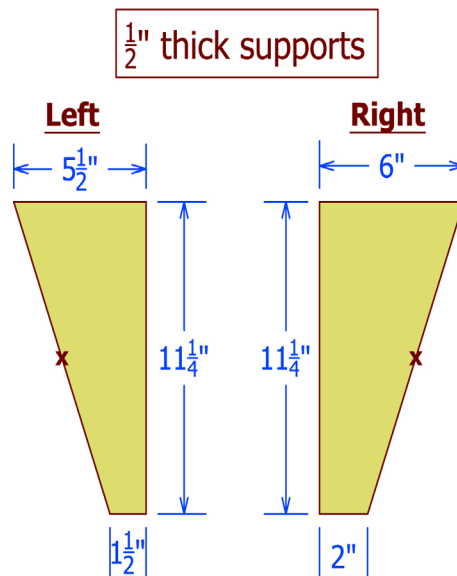
Two types of adhesive are needed to install the foot rest because they serve different purposes. The hot melt glue bonds immediately, but will not hold the foot rest for more than a few days. The silicone takes a few hours to cure, but after curing, it will secure it indefinitely.

* Please use acetone only. Denatured alcohol or other water-based cleaners are not acceptable. If you do not have acetone, wiping with a clean, dry rag is an acceptable alternative.

NOTE: The foot rest should be located in the corner of the shower opposite the wet wall in the back right corner of the shower.

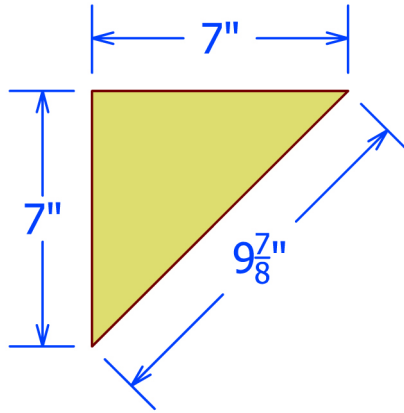
Installing the foot rest:

1. Thoroughly clean the back of the foot rest, the supports and the wall where it is to be installed with acetone before proceeding
2. Using the torpedo level, lightly make a level line to the corner, going onto the adjacent wall with the mark.
3. The 6" wide support should be installed first. Apply silicone to the clean back of the support, only a small amount is necessary. Place the silicone toward the outer edges of the supports. Then apply a small amount of hot glue to the middle of the back of the supports. **NOTE: It is important that the two different adhesives DO NOT mix. Once the hot melt glue has been applied, the supports need to be installed immediately. If they are not and your hot melt glue cools, the glue will need to be scraped off and re-applied.**
4. The 5 ½" wide support should be installed next, following the same procedure used to install the 6" support.

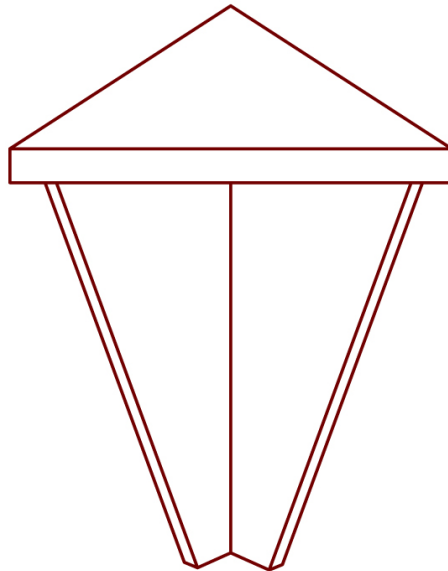


5. Apply a bead of silicone to the top of the supports. Place the top of the footrest to the top of the supports, pressing into place. Use a clean rag or cloth to wipe away any excess silicone. Use 100% silicone, color matched for the marble, to seal around the foot rest once installation is complete.

Top View



6. Check the level of the footrest with the torpedo level. There should be a slight downdraft from the back corner to the front of the footrest. If the walls are not plumb, this could cause the footrest to be angled incorrectly. This can be easily adjusted with small shims under the top of the footrest.
7. Using a clean rag or cloth, wipe off pencil marks and any excess silicone. The final installed product should look like this:



Mincey Marble Manufacturing recommends using a high temperature hot melt glue stick when attaching our cast marble foot rest to our panel systems. The company we purchase our glue sticks from is AIM Supply and the part number is BO 6390-15. This is a ½" x 15" Adhesive Glue Stick. If your installer wants to use glue sticks from Home Depot or Lowe's, we recommend the Arrow Fastener's 4" Super Strong Glue Stick, however, these may not be available at all Lowe's or Home Depot store locations.

As a precaution - **DO NOT USE ALL PURPOSE GLUE STICKS**. They do not hold the weight of the foot rest as well.

If you decide to purchase your glue sticks from AIM Supply you can contact them direct toll free at 800.999.0125 or on the web at www.aimsupply.com. They will accept orders 24/7, either on line or by phone.

If you have any questions, please call Mincey Marble Customer Service at 770.532.0451