



Mincey Marble Mfg., Inc.

1940 New Harvest Road

Gainesville, GA 30507

Ph: 770.532.0451

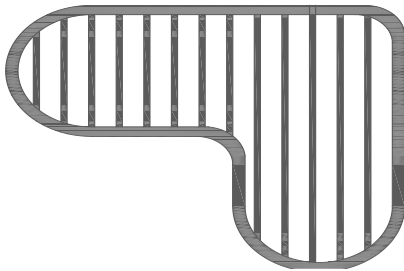
www.minceymarble.com

Installation Instructions for Mincey Marble Manufacturing's Chrome Plated Wire Corner Mount Soapdish

Product number: SD- 08

**Please read the following before attempting to install your new
chrome plated wire corner mount soapdish**

These instructions have been written for Mincey Marble's SD-08 chrome plated wire corner mount soapdish. If you have received a different product than shown, please contact our office so we can send proper instructions to you.



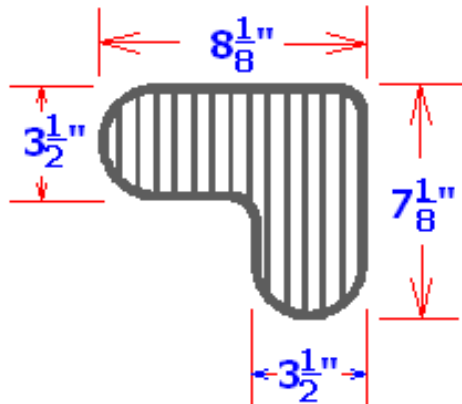
SD- 08

In preparation, before installing the soapdish, you will need to have completed the installation of the panel system and sealed the seams of the shower behind where the soapdish is to be installed with 100% silicone.

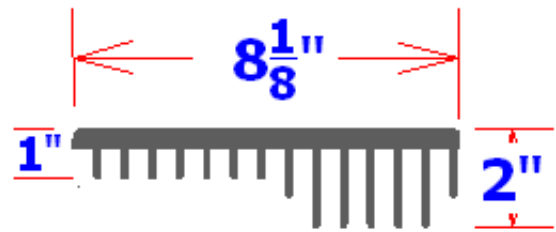
Tools and Materials required:

1. Torpedo level
2. Drill with ¼" masonry drill bit
3. 3 plastic wall anchors, stainless screws and mounting brackets (included in each box, with wire soapdish)
4. 3 ea. clear plastic washers and chrome plated plastic screw caps (packaged separately and included in your shipment)
5. #2 Phillips head screwdriver
6. Pencil

Top View



Front View

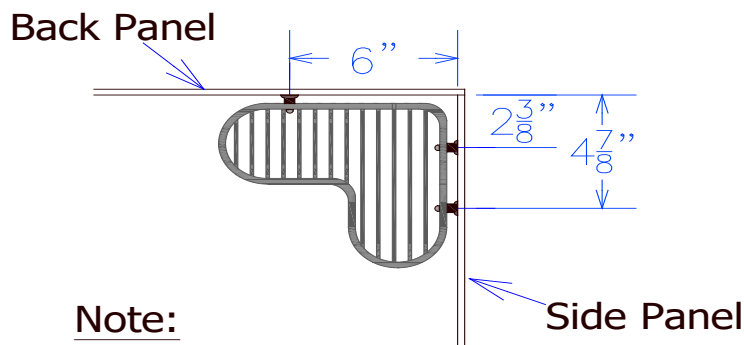


Installing the wire corner soapdish:

1. Determine the height of the soapdish before going any further. It would be best to check blue prints and with the project manager before drilling any holes. Failure to do this could cause unnecessary repair work, which can be time consuming and costly. Also, make sure the soapdish is being installed in the correct corner.
2. Once the height of the soapdish is determined, make a pencil mark on the wall where the top of it will be installed. Using the torpedo level, continue this line on the adjacent wall in the corner.
3. The soapdish has three mounting brackets. One is located on the longer side, and the other two are located on the short side.

Please Note: If the soapdish is to be installed in the right corner, facing the shower, the long side of the soapdish will be on the back wall and the short side will be on the right shower panel. If the soapdish is to be installed on the left corner, facing the shower, the long side of the soapdish will be on the left wall and the short side will be on the back wall. (See diagram of soapdish)

Drill Hole Locations for Installation



Note:
Mounting Hardware Included

4. For the longer side of the soapdish, measure back from the corner 6", along the level line marked on the wall. For the short side, measure two holes, one 3 3/8" and the other 4 7/8" from the corner. Drill these holes with a 1/4" masonry bit.
5. Lightly tap the wall anchors into the 1/4" diameter holes. Do not hit hard or damage could occur to the panels.
6. Clean the pencil marks off the walls with acetone or other cleaner and a clean rag.
7. The mounting brackets have a wider end. This goes against the wall. It is easier to push the screws through the clear plastic washer, open side facing the screw head and then through the pre-drilled holes in the soapdish and place the mounting brackets on the screws.
8. Carefully align the screws and the clear plastic washers with the wall anchors and start the screws by hand. Hand-tighten the screws into the wall anchors, using the #2 Phillips head screwdriver. ***Do not over-tighten. (Over- tightening the screw can distort the clear plastic washer, causing the cap to not fit properly).*** For proper tightness, the soapdish should be secure against the mounting brackets and not loose and "flopping" on the wall.
9. Press the chrome plated screw cap onto the washer until it snaps into place.

Failure to carefully follow these instructions could cause the holes to be drilled in the wrong locations.

If you have any questions, please call Mincey Marble Customer Service at 770.532.0451