

General Care & Maintenance Guidelines for Mincey Marble Cast Marble Products

Mincey Marble’s products are hand crafted and custom made for you. They excel in beauty durability, and stain resistance. With proper care, Mincey Marble will remain as beautiful and elegant as the day it was installed. All Mincey products come with a sealed non-porous surface, which makes them easy to clean and maintain. Always use a soft cloth or paper towel and a non-abrasive cleaner.

Cleaning	Matte Finish	Gloss Finish	Textured Finish
Daily Cleaning	For daily cleaning, use soapy water or an ammonia-based cleaner such as Windex™, GlassPlus™, or Magic Eraser™.		
Water Marks	Wipe surface with a damp cloth and then towel dry		
Disinfecting	All Mincey Marble case products are manufactured with a sealed non-porous surface, which naturally repels mold, mildew, fungus, and bacteria, making cleaning and disinfecting simple and easy. Simply choose a non-abrasive cleaner and wipe with a soft cloth.		
Routine Maintenance	Occasionally rub surface with a Scotch-Brite™ pad and clean as usual.	Occasionally buff with a polishing compound or car wax.	Utilize standard daily cleaning practices for textured surfaces.
Cigarette Burns & Tough Stains	Use an abrasive cleaner such as Comet™, Ajax™, or a Scotch-Brite™ pad. If the stain does not come out, then sand area with 400 grit sandpaper.		
	Use a Scotch-Brite™ pad again if necessary.	Next polish with a buffing compound and a low speed polisher. Small areas can be polished by hand.	Use a Scotch-Brite™ pad again if necessary.

Removing Minor Cuts & Scratches

Although Mincey Marble is highly impact and scratch resistant, sharp objects could damage the finish, resulting in the need for professional repair. If marble gets chipped, repair kits are available from our factory in Gainesville, GA. If a repair kit is not needed, please follow the instructions below.

Cleaning	Matte	Gloss	Textured
Minor Cuts and Scratches	Sand damaged area with 400 grit sandpaper. Then use a Scotch-Brite™ pad to blend in the finish.	Sand damaged area with a random orbital sander. Begin with a 400 grit sandpaper to remove scratches or cuts.	Sand damaged area with 400 grit sandpaper. Then use a Scotch-Brite™ pad to blend in the finish.

1. Mincey Marble cast marble products are extremely stain-resistant and durable, however, some strong chemicals, such as paint strippers, stain removers, nail polish removers, and hair dye, could stain or damage the surface if left standing for a period of time. If spills occur, quickly flush the surface with soapy water and clean as normal.
2. Although Mincey Marble cast marble product surfaces withstand heat extremely well and cigarette burns are removable, please do not place hot irons, curling irons, cigarettes, or coffee pots on the surface of your marble. This can cause damage that may require a professional refinisher to repair.
3. Mincey Marble products should not be used as a cutting board. Minor scratches may easily be repaired, but deep cuts will require the services of a professional refinisher.

Thank you for purchasing a Mincey Marble product. We make every effort possible to produce the finest quality cast marble products available. If you have any questions or encounter a problem, please contact our customer service department at 770.532.0451 Monday through Friday, 8:00am - 5:00pm EST and ask for Bobby Haskins.

Care & Maintenance Guidelines for Mincey Marble Cast Marble Products with a Matte Finish

Each Mincey Marble cast marble bath product is handcrafted and custom-made. They excel in beauty, durability and stain resistance. With proper care our products will remain as beautiful and elegant as the day they were installed.

Normal Cleaning:

All Mincey Marble product surfaces are non-porous, meaning they are sealed, so they may be easily wiped clean. An ammonia-based cleaner such as Windex™ or Glass Plus™ will work well for routine cleaning. On stubborn stains and cigarette burns, you may want to use an abrasive cleanser or Magic Eraser™. To keep your finish looking like new, occasionally rub your matte finished product with a Scotch-Brite™ pad alone.

Repairing Scratches:

For minor scratches, we recommend using a Scotch-Brite™ pad combined with an abrasive cleaner. After gently rubbing the damaged area, clean thoroughly with soap and water and let dry. For deeper scratches, carefully sand with 320 grit wet sandpaper. To restore the finish, use an abrasive cleanser and a Scotch-Brite pad, cleaning thoroughly with soap and water when finished.

1. Mincey Marble products are extremely stain-resistant and durable; however, some strong chemicals such as stain removers, drain cleaners, nail polish removers (acetone), chlorine bleach, hair color and other strong acidic liquids can damage the surface if left unattended. When these spills first occur, flush the surface with soapy water and then clean as normal.
2. Do not permit heavy or pointed objects to strike the surface of the product. If this does occur and the surface is damaged, repair kits are available from our customer service department. Please call 770.532.0451 and ask for Bobby Haskins.
3. Although Mincey Marble cast marble withstands heat extremely well, and cigarette burns are easily removed, do not place hot irons, curling irons, cigarettes etc, on the surface of the marble. This could cause damage deep enough to require the services of a professional refinisher.
4. Mincey Marble does not manufacture products that can be used as a "cutting board". Minor scratches can generally be repaired, but deep cuts or gouges will require the services of a professional refinisher.

Care & Maintenance Guidelines for Mincey Marble Cast Marble Products with a Gloss Finish

Normal Cleaning:

All Mincey Marble product surfaces are non-porous, meaning they are sealed, so they may be easily wiped clean. An ammonia-based cleaner such as Windex™ or Glass Plus™ will work well for routine cleaning. Other recommended products include Lysol™ Foam Cleaner and Magic Eraser™. Never use any type of abrasive cleaner. Abrasive cleaners will dull the shine and may cause stains. Always clean with a soft cloth or paper towel.

Repairing Scratches:

To restore luster and repair minor scratches, use car wax or any automotive polishing compound. Buff with a soft cloth after application. Although Mincey Marble is highly impact-resistant, heavy or pointed objects striking the surface can damage the surface resulting in the need for a professional repair.

Preventing Damage to Mincey Marble Products:

1. Mincey Marble products are extremely stain-resistant and durable; however, some strong chemicals such as stain removers, drain cleaners, nail polish removers (acetone), chlorine bleach, hair color and other strong acidic liquids can damage the surface if left unattended. When these spills first occur, flush the surface with soapy water and then clean as normal.
2. Do not permit heavy or pointed objects to strike the surface of the product. If this does occur and the surface is damaged, repair kits are available from our customer service department. Please call 770.532.0451 and ask for Bobby Haskins.
3. Although Mincey Marble cast marble withstands heat extremely well, and cigarette burns are easily removed, do not place hot irons, curling irons, cigarettes etc, on the surface of the marble. This could cause damage deep enough to require the services of a professional refinisher.
4. Mincey Marble does not manufacture products that can be used as a "cutting board". Minor scratches can generally be repaired, but deep cuts or gouges will require the services of a professional refinisher.

Care & Maintenance Guidelines for Mincey Marble Cast Marble Products with a Textured Finish

[Normal Cleaning:](#)

All Mincey Marble product surfaces are non-porous, meaning they are sealed, so they can be easily wiped clean. An ammonia-based cleaner such as Windex™ or Glass Plus™ will work well for routine cleaning. On stubborn stains and cigarette burns, you may want to use an abrasive cleanser such as Comet™ or Magic Eraser™.

[Repairing Scratches:](#)

For minor scratches, we recommend using a Scotch-Brite™ pad combined with an abrasive cleaner. After gently rubbing the damaged area, clean the surface thoroughly with soap and water and let dry. For deeper scratches, carefully sand the damaged area with 320 grit wet sandpaper, then clean thoroughly with soap and water when finished.

[Preventing Damage to Mincey Marble Products:](#)

1. Mincey Marble products are extremely stain-resistant and durable; however, some strong chemicals such as stain removers, drain cleaners, nail polish removers (acetone), chlorine bleach, hair color and other strong acidic liquids can damage the product surface if left unattended. When these spills first occur, flush the surface with soapy water and clean as normal.
2. Do not permit heavy or pointed objects to strike the surface of the product. If this does occur and the surface is damaged, repair kits are available from our customer service department. Please call 770.532.0451 and ask for Bobby Haskins.
3. Although Mincey Marble cast marble withstands heat extremely well, and cigarette burns are easily removed, do not place hot irons, curling irons, cigarettes etc, directly on the surface of the marble. This could cause damage deep enough to require the services of a professional refinisher.
4. Mincey Marble does not manufacture products that can be used as a "cutting board". Minor surface scratches can generally be repaired, but deep cuts or gouges will require the services of a professional refinisher.

Thank you for purchasing a Mincey Marble product. We make every effort to produce the finest product available today. If you have any questions or encounter a problem, please contact our office at 770.532.0451 Monday through Friday, 8:00 am – 5:00 pm est and ask for Bobby Haskins in customer service.

Care Guidelines for Mincey Shower Enclosures

Cleaning Tips:

To properly maintain the clarity and enhance the service life of Mincey shower enclosures we recommend that you follow these basic cleaning and maintenance guidelines:

- Always use a mild soap or glass cleaning solution.
- Regular use of a clean, lint-free microfiber cloth or squeegee is an easy way to remove soap, dirt and other shower residue.
- Once soil and residue is removed, thoroughly rinse all cleaning solutions and other debris from the glass.
- Rinse and dry all cleaning solutions from the door handles, frames, guides, hinges, fasteners and any rubber or plastic sealants.
- Do not allow splashed materials such as dirt or oil to dry on the glass surface.
- Do not use soaps, shower products and cleaning products that contain abrasives or are acid based when cleaning the shower enclosure. If you must use them, avoid vigorous wiping of the glass while these products are on the glass to prevent scratches and other damage to the glass and metal.
- Do not use scrapers, steel wool or razor blades to remove stubborn deposits or labels. They can cause scratches and damage to the glass and metal.
- For areas with hard water, due to a higher concentrate of mineral deposits such as lime and calcium, a build-up may occur on the glass and may not be easily removed with a mild detergent. A solution of white vinegar and water (1 part vinegar to 5 parts water); will need to be used occasionally to dissolve these deposits.

Cleaning for Easy Care Coated Glass:

- A soft cloth or wet sponge and most common cleaners are all that are needed for periodic maintenance.
- Avoid abrasive cleaners.
- Hydrofluoric and phosphoric acid are corrosive to the coating and glass surfaces and should not be used.
- Do not use abrasive brushes, razor blades or other sharp objects to remove stubborn deposits or labels. They can cause scratches and damage to the glass.

Thank you for purchasing a Mincey Marble product. We make every effort to produce the finest product available today. If you have any questions or encounter a problem, please contact our office at 770.532.0451 Monday through Friday, 8:00 am – 5:00 pm est and ask for Bobby Haskins in customer service.



Maintenance Guidelines for Napoli Sliding & Napoli Bow Front Barn Door

Proper Maintenance of your Shower Door

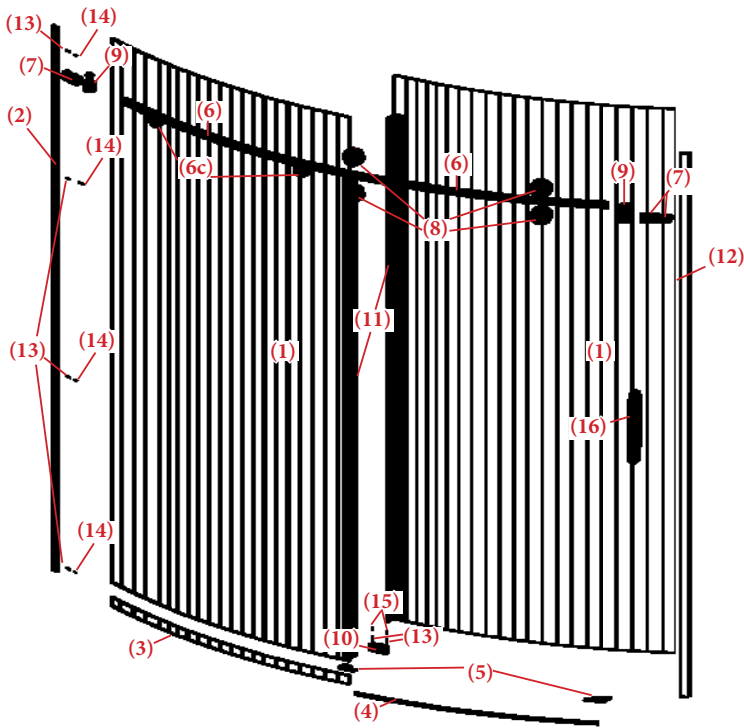
The following maintenance tips will ensure your **Napoli** Sliding or Bow Front Barn Door Shower Enclosure functions properly and safely:

- Perform a routine maintenance check once a month
- Make sure door stops are tightened and in the appropriate position on the guide rail. Over time door stops may become loose and will not prevent the shower door from coming into contact with the wall or the handle coming into contact with the fixed panel. It is recommended that you periodically check door stops to ensure they are tight. In the event a door stop has loosened over time, locate the set screw at the top of the door stop. Use an Allen wrench (or hex key) to tighten the set screw and the door stop. We recommend applying a thread locker, such as Loctite brand Threadlocker Blue 242, before tightening the screw (not included, can be purchased at local home improvement store). Add a small drop to the threads of the screw and tighten well.
- Check the Napoli door opens and closes smoothly. The Napoli door should ALWAYS open smoothly.
- Wheels should always be tight against the glass. Routinely check the wheels to ensure they are still tight and the wheels are operating smoothly. If the wheels need tightening, locate the screw in the center of the wheel. Tighten with an Allen wrench (hex key). The wheels below the guide rail should be touching the guide rail to prevent door from tripping. We recommend applying a thread locker, such as Loctite brand Threadlocker Blue 242, before tightening the screw (not included, can be purchased at local home improvement store). Add a small drop to the threads of the screw and tighten well.
- Routinely inspect to ensure all polycarbonate seals are in place with no exposed glass. If any of the seals are cracked, replace them.
- Handles should be inspected to make sure they are tightly affixed to the shower door. If the handle requires tightening, locate the small set screws (two on each side of handle) and adjust with an Allen wrench (hex key). (Refer to the corresponding Napoli door installation instructions drawing # A 125 for how to secure the handle.) We recommend applying a thread locker, such as Loctite brand Threadlocker Blue 242, before tightening the screw (not included, can be purchased at local home improvement store). Add a small drop to the threads of the screw and tighten well.



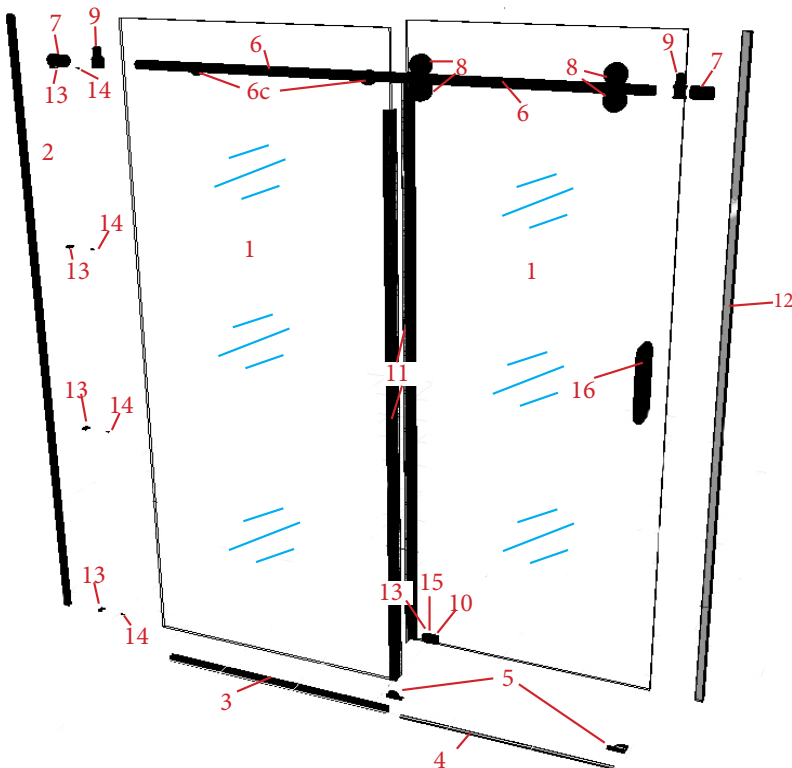
Maintenance Guidelines for Napoli Sliding & Napoli Bow Front Barn Door

NAPBF - Napoli Bow Front Barn Door



SHOWER PARTS SCHEDULE		
ASSEMBLY CODE	ASSEMBLY NAME	QTY
1	GLASS PANEL	2
2	VERTICAL WALL CHANNEL	1
3	BOTTOM CHANNEL	1
4	WATER GUARD RAIL	1
5	WATER GUARD END CAP KIT	1
6	GUIDE RAIL	1
7	GUIDE RAIL END CAP KIT	1
8	ROLLER SET (WHEELS)	4
9	DOOR STOPS	2
10	DOOR GUIDE	2
11	F-SEALS (SHORT & LONG)	2
12	BUBBLE SEAL	1
13	WALL ANCHORS (6X30)	9
14	ROUND HEAD ST4.0 X 30	9
15	SUNK HEAD ST4.0 X 45	2
16	HANDLES	2

NAPSD - Napoli Sliding Barn Door



ASSEMBLY CODE	ASSEMBLY NAME	QTY
1	GLASS PANEL	2
2	VERTICAL WALL CHANNEL	1
3	HANDLES	2
4	WATER GUARD RAIL	2
5	WATER GUARD END CAP KIT	1
6	GUIDE RAIL	2
7	GUIDE RAIL END CAP KIT	4
8	ROLLER SET (WHEELS)	2
9	DOOR STOPS	2
10	DOOR GUIDE	2
11	F-SEALS (SHORT & LONG)	1
12	BUBBLE SEAL	9
13	WALL ANCHORS (6X30)	9
14	ROUND HEAD ST4.0 X 30	9
15	SUNK HEAD ST4.0 X 45	2

Maintenance Guidelines for Arezzo Bypass Barn Door

Proper Maintenance of your Shower Door

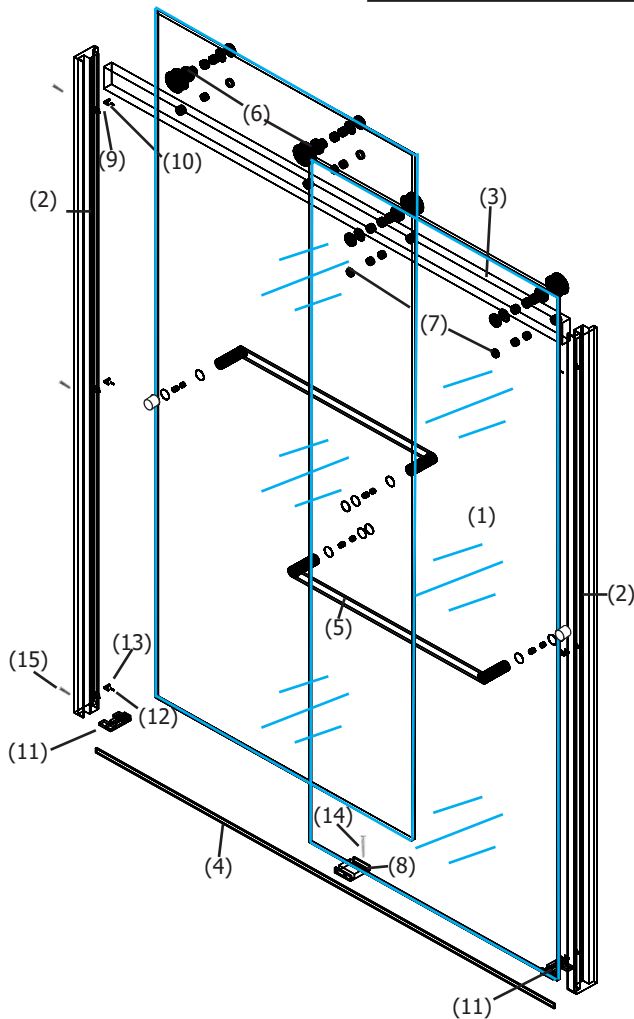
The following maintenance tips will ensure your **Arezzo Bypass** Barn Door shower enclosure functions properly and safely:

- Perform a routine maintenance check once a month.
- Wheels should always be tight against the glass. Routinely check the wheels to ensure they are still tight and the wheels are operating smoothly. If the wheels need tightening, locate the screw in the center of the wheel. Tighten with an Allen wrench (or hex key). We recommend applying a thread locker, such as Loctite brand Threadlocker Blue 242, before tightening the screw (not included, can be purchased at local home improvement store). Add a small drop to the threads of the screw and tighten well.
- Handles should be inspected to make sure they are tightly affixed to the shower door. If the handle requires tightening, locate the bolt caps and tighten. (Refer to the Arezzo installation instructions drawing # A117 for instructions on how to tighten bolt caps.)
- The Arezzo door retention pieces (under the header) must be **present** and tightly **secured**. Check for loose or missing retention pieces. They must be tightened if loose or replaced if missing. We recommend applying a thread locker, such as Loctite brand Threadlocker Blue 242, before tightening the screws (not included, can be purchased at local home improvement store). Add a small drop to the threads of the screw and tighten well. (Refer to the Arezzo installation instructions drawing # A118 for instructions on how to tighten or replace retention pieces.)
- **Do not operate the Arezzo Bypass enclosure unless all 4 retention pieces are in the correct location and tightly fastened.**
- Make sure all 8 anti-collision blocks are present. There should be 4 - 'L' and 4 - 'U' shape anti collision blocks per door. If any are missing they must be replaced. Check the anti collision blocks to make sure they are tight against the wall channel. If any are loose, they must be secured before operating the door. (Refer to the Arezzo installation instructions drawing A115 on where numbers are located.)
- Make sure the bottom door side guides are securely fastened. You must use 100% silicone on the bottom of the guide to secure to the pan. There is one right guide and one left guide.
- Check the silicone around the shower enclosure and make sure there is an even, solid, and unbroken bead around it. If there is not, you must re-silicone with 100% clear silicone.

Thank you for purchasing a Mincey Marble product. We make every effort to provide the finest product available today. If you have any questions or encounter a problem, please contact our office at 770.532.0451 Monday through Friday, 8:00 am – 5:00 pm est and ask for Jeff McCurdy in customer service.



Maintenance Guidelines for Arezzo Bypass Barn Door



SHOWER PARTS SCHEDULE		
ASSEMBLY CODE	ASSEMBLY NAME	QTY
1	GLASS PANEL	2
2	VERTICAL WALL CHANNEL	2
3	GUIDE RAIL	1
4	WATER GUARD	1
5	HANDLES	2
6	ROLLER SET	4
7	DOOR PANEL RETENTION PIECE	4
8	DOOR GUIDE	1
9	BUMPER GUARD	8
10	BUMPER GUARD CAPS	10
11	DOOR SIDE GUIDES	2
12	M SCREW 4.0 X 12	8
13	ROUND HEAD ST4.0 X 30	6
14	SUNK HEAD ST4.0 X 45	2
15	WALL ANCHORS	8